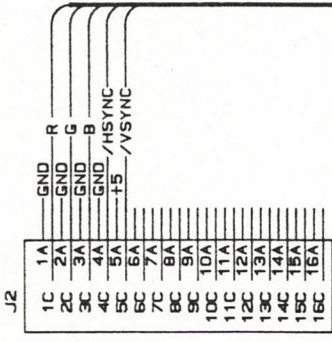
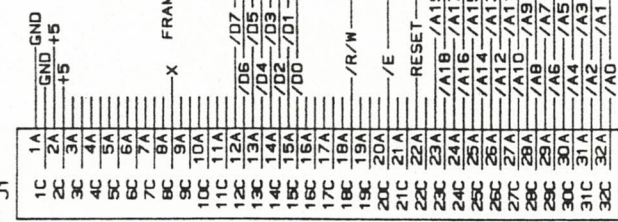


NO. 17-040012-03

SHEET 2 CONT. 7



/VSYNC - /HSYNC - R-G-B

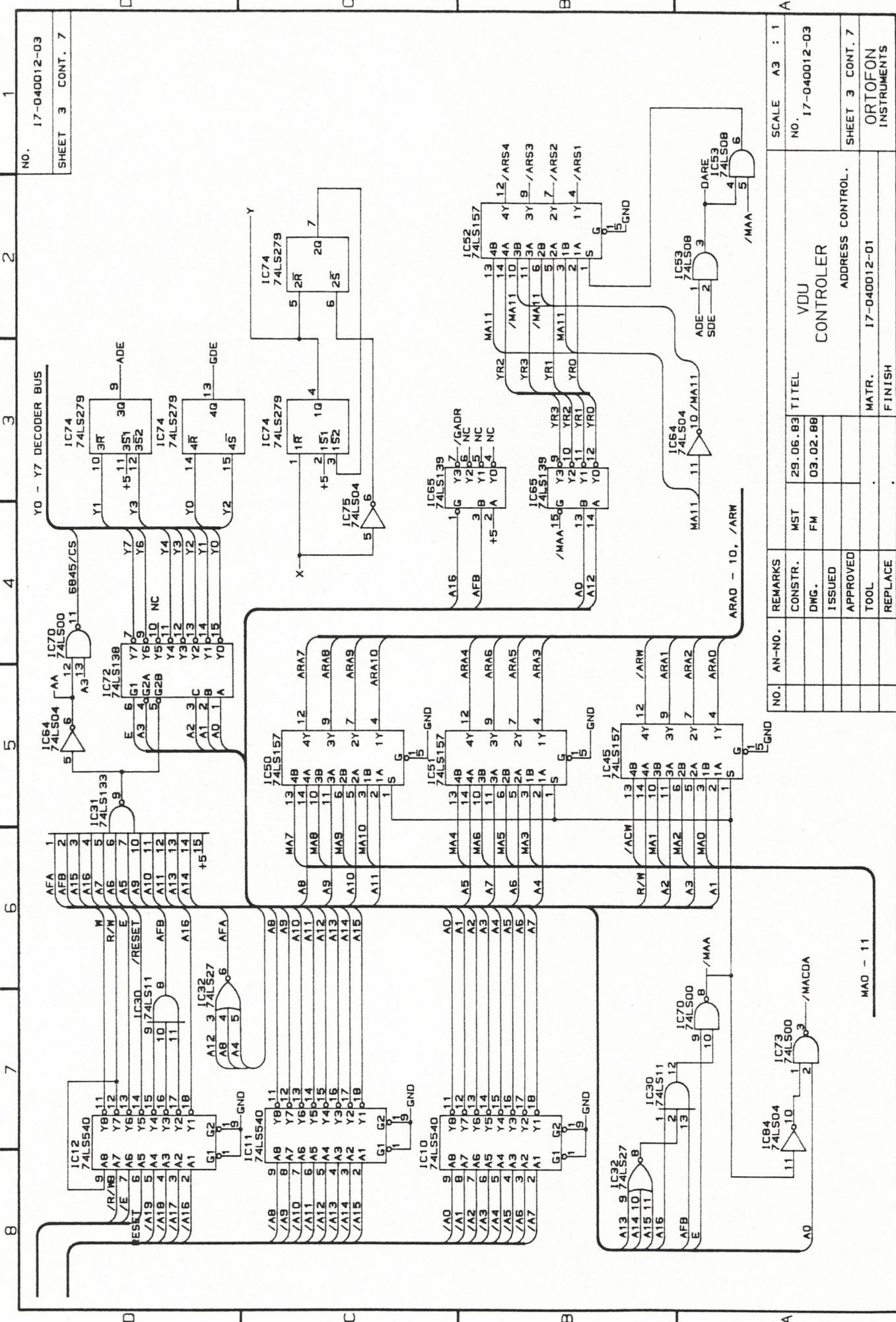
DATA BUS /D0 - /D7 CTRL BUS /E - RESET - /R/W

ADDRESS BUS /A0 - /A19

NO.	AN-NO.	REMARKS	MST	29.06.83	TITLE	SCALE
		CONSTR.	FM	15.12.87	VDU CONTROLLER	NO. 17-040012-03
		DMG.				
		ISSUED				
		APPROVED				
		TOOL				
		REPLACE				
					BUS -CONNECTOR(S)	SHEET 2 CONT.
					MATR. 17-040012-01	ORTOFON INSTRUMENTS
					FINISH	

THIS DRAWING MUST NOT BE PASSED ON TO, COPIED OR USED BY ANY UNAUTHORIZED PERSONS.

NO. 17-040012-03
SHEET 3 CONT. 7



NO.	AN-NO.	REMARKS	MST	TITEL	SCALE	A3	A1
		CONSTR.	FM	VDU CONTROLLER			
		DWG.		ADDRESS CONTROL			
		ISSUED					
		APPROVED					
		TOOL					
		REPLACE					
		MATR.		MATR.			

THIS DRAWING MUST NOT BE PASSED ON TO, COPIED OR USED BY ANY UNAUTHORIZED PERSONS.

NO. 17-040012-03

SHEET 3 CONT. 7

SCALE A3 : 1

VDU CONTROLLER

ADDRESS CONTROL

MATR. 17-040012-01

FINISH

REPLACE

APPROVED

ISSUED

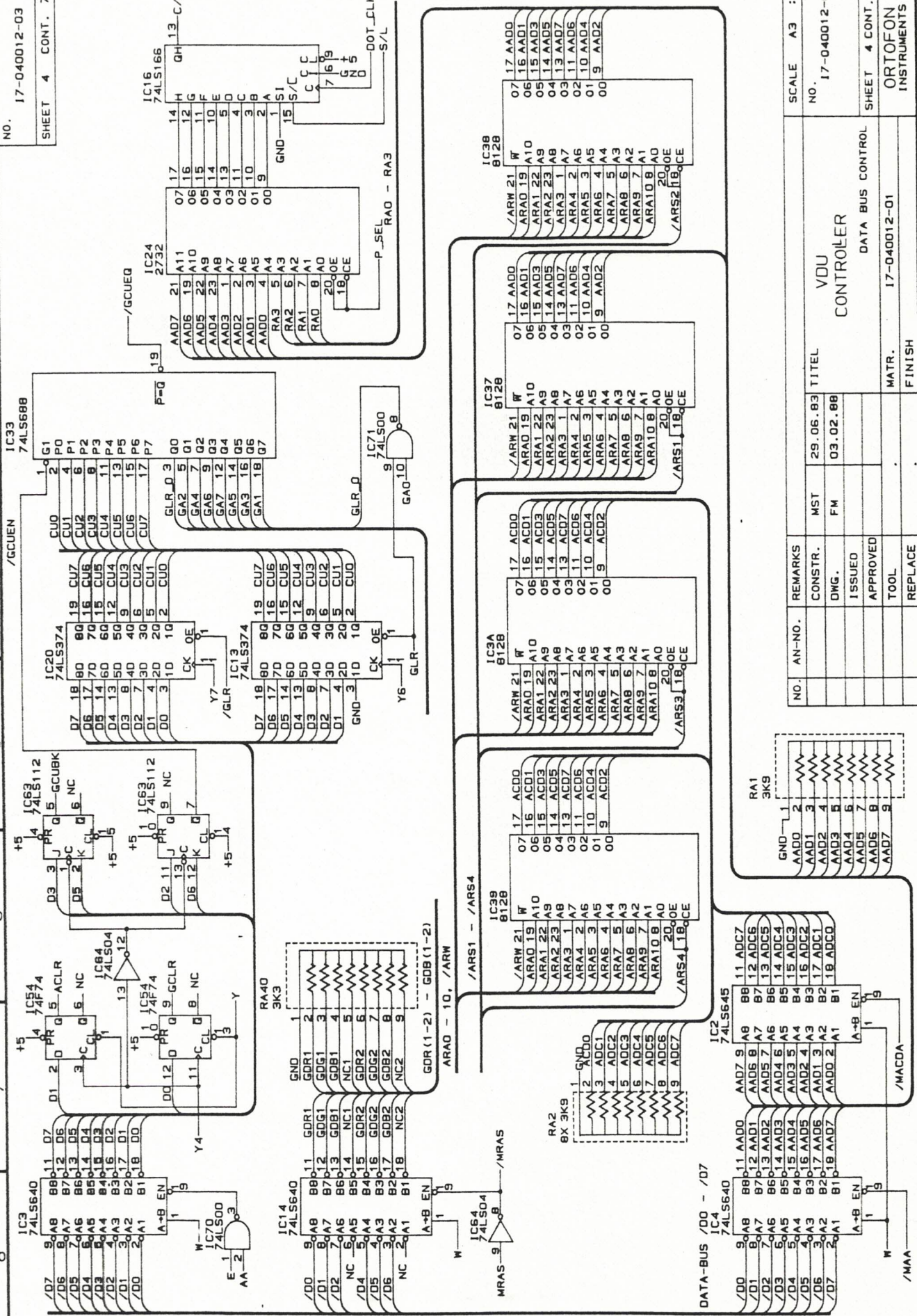
DWG.

CONSTR.

REMARKS

AN-NO.

NO.



NO.	AN-NO.	REMARKS	MST	TITEL	SCALE	A3	A3
		CONSTR.	FM	29.06.83			17-040012-03
		DWG.		03.02.88			
		ISSUED					
		APPROVED					
		TOOL					
		REPLACE					
				MATR.	17-040012-01		
				FINISH			

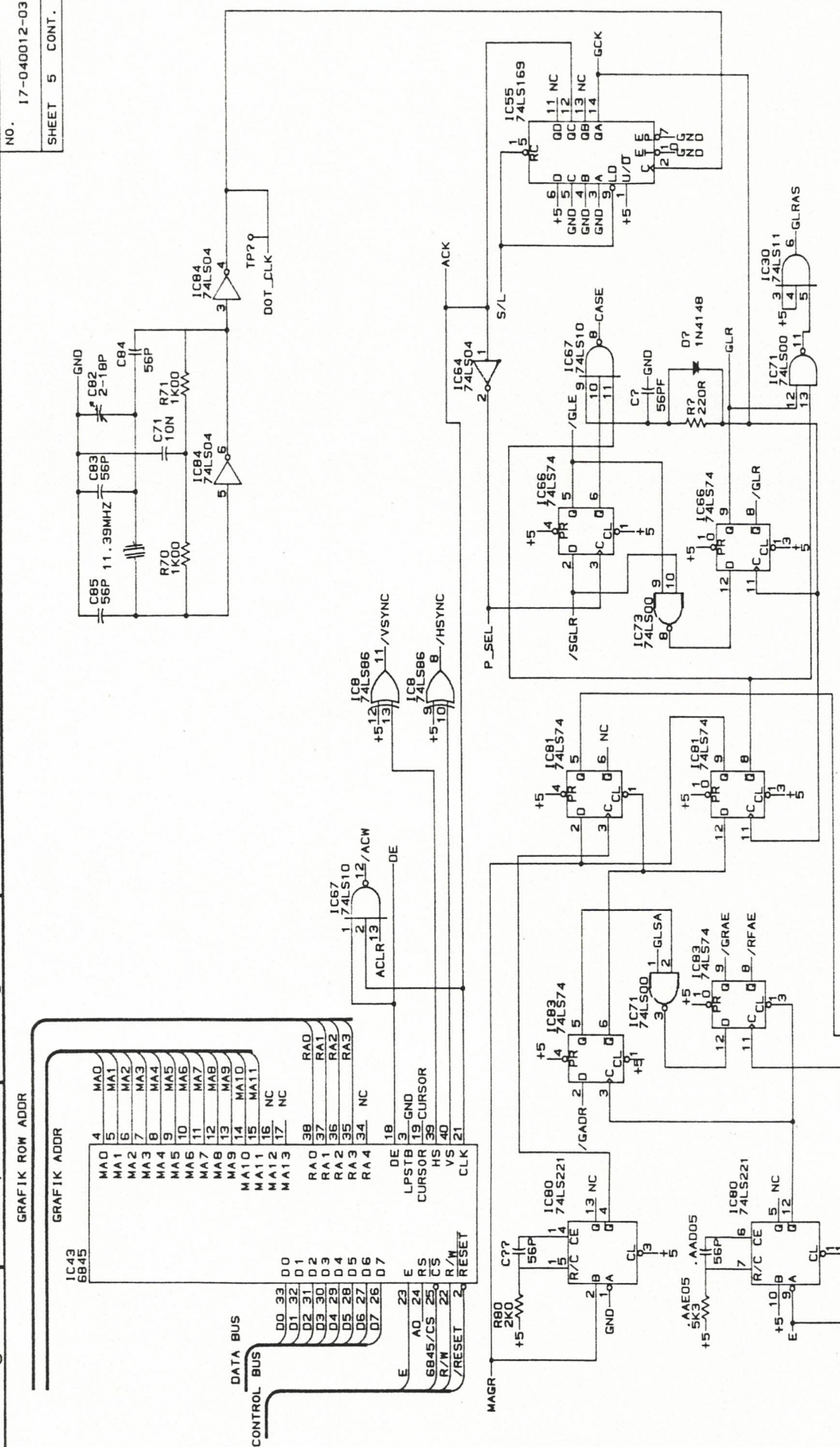
NO.	AN-NO.	REMARKS	MST	TITEL	SCALE	A3	A3
		CONSTR.	FM	29.06.83			17-040012-03
		DWG.		03.02.88			
		ISSUED					
		APPROVED					
		TOOL					
		REPLACE					
				MATR.	17-040012-01		
				FINISH			

THIS DRAWING MUST NOT BE PASSED ON TO, COPIED OR USED BY ANY UNAUTHORIZED PERSONS.

NO. 17-040012-03

SHEET 5 CONT. 7

1 2 3 4 5 6 7 8



NO.	AN-NO.	REMARKS	MST	TITEL	SCALE
		CONSTR.	29.06.83	VDU CONTROLLER	A3 : 1
		DMG.	03.02.88		
		ISSUED			
		APPROVED			
		TOOL			
		REPLACE			
				MATR.	17-040012-01

NO.	AN-NO.	REMARKS	MST	TITEL	SCALE
		CONSTR.	29.06.83	VDU CONTROLLER	A3 : 1
		DMG.	03.02.88		
		ISSUED			
		APPROVED			
		TOOL			
		REPLACE			
				MATR.	17-040012-01

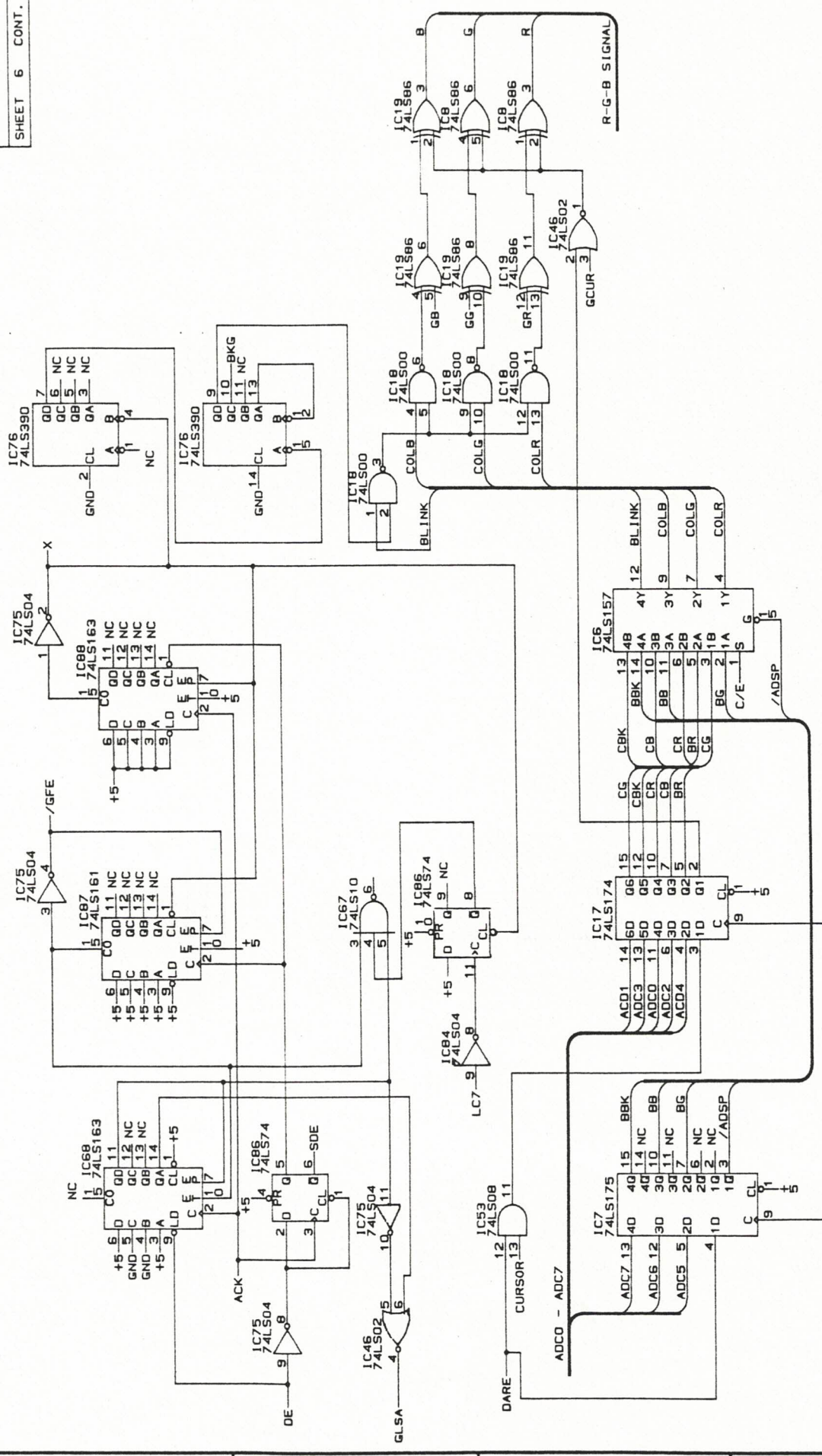
THIS DRAWING MUST NOT BE PASSED ON TO, COPIED OR USED BY ANY UNAUTHORIZED PERSONS.

ORTOFON INSTRUMENTS

SHEET 5 CONT. 7

NO. 17-040012-03

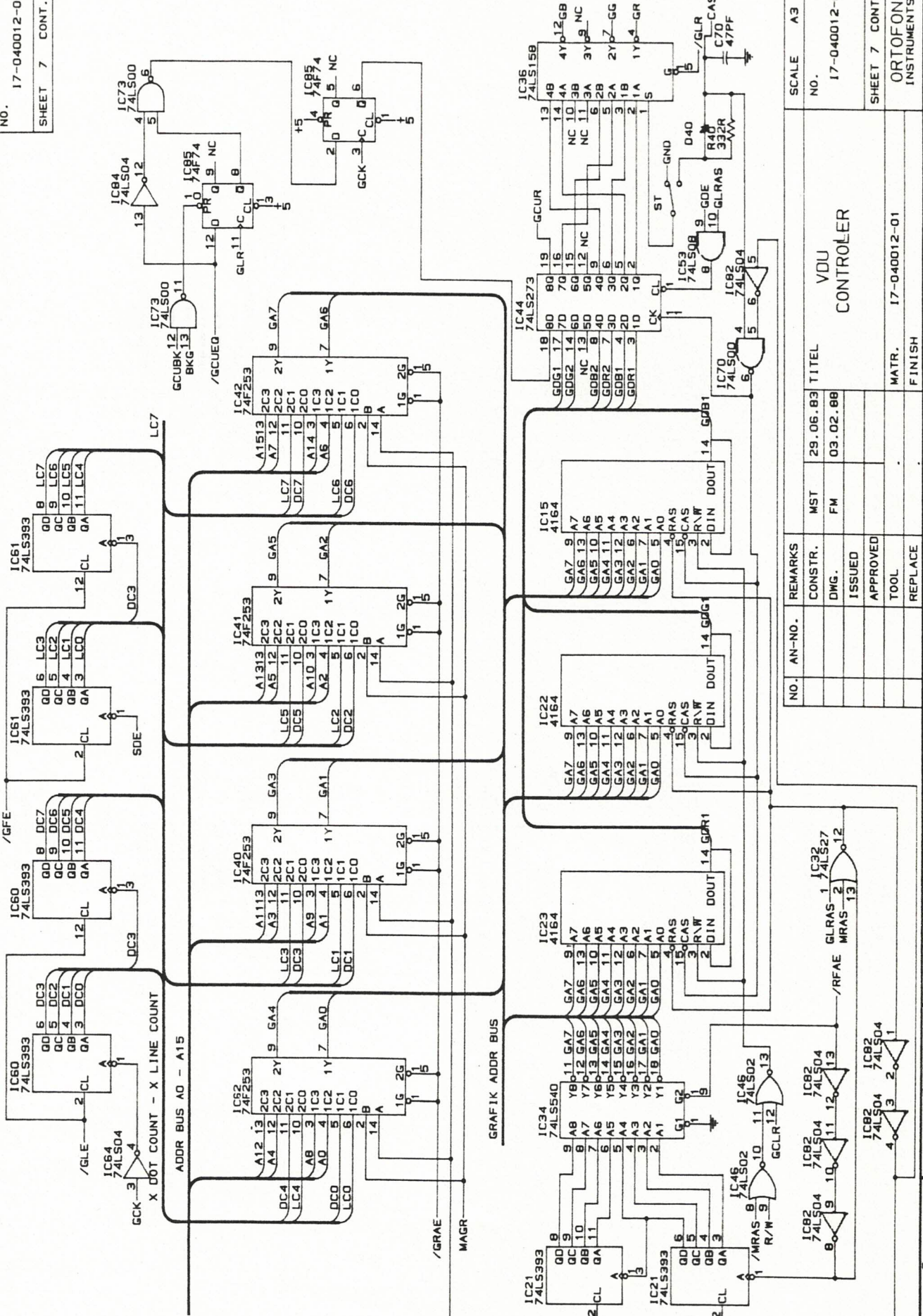
SCALE A3 : 1



NO.		AN-NO.		REMARKS		MST		TITEL		SCALE	
				CONSTR.		29.06.83		VDU CONTROLLER		A3	1
				DWG.	FM	03.02.88					
				ISSUED							
				APPROVED							
				TOOL							
				REPLACE							
								MATR.		17-040012-01	
								FINISH			

THIS DRAWING MUST NOT BE PASSED ON TO, COPIED OR USED BY ANY UNAUTHORIZED PERSONS.

1 2 3 4 5 6 7 8



SCALE A3 : 1
NO. 17-040012-03
SHEET 7 CONT. 7
ORTOFON INSTRUMENTS

VDU CONTROLLER

NO.	AN-NO.	REMARKS	MST	TITEL
		CONSTR.	FM	29.06.83
		DMG.		03.02.88
		ISSUED		
		APPROVED		
		TOOL		
		REPLACE		

MATR. 17-040012-01
FINISH

THIS DRAWING MUST NOT BE PASSED ON TO, COPIED OR USED BY ANY UNAUTHORIZED PERSONS.

STYKLISTE FOR VDUCON

DEN 16.7.86.

SIDE 1

KOMPONENT BESKRIVELSE

LAGERNUMMER

C1	10	UF	16V	SAL	236102600
C2	100	NF	10% 63V	SIB	215103400
C3	100	NF	10% 63V	SIB	215103400
C4	100	NF	10% 63V	SIB	215103400
C5	10	UF	16V	SAL	236102600
C10	100	NF	10% 63V	SIB	215103400
C11	100	NF	10% 63V	SIB	215103400
C12	100	NF	10% 63V	SIB	215103400
C13	100	NF	10% 63V	SIB	215103400
C20	100	NF	10% 63V	SIB	215103400
C30	100	NF	10% 63V	SIB	215103400
C31	100	NF	10% 63V	SIB	215103400
C40	100	NF	10% 63V	SIB	215103400
C42	100	NF	10% 63V	SIB	215103400
C43	100	NF	10% 63V	SIB	215103400
C50	100	NF	10% 63V	SIB	215103400
C60	100	PF	2%	CER	202105300
C61	100	NF	10% 63V	SIB	215103400
C62	100	NF	10% 63V	SIB	215103400
C63	100	NF	10% 63V	SIB	215103400
C70	33	PF	2%	CER	201335300
C71	10	NF	-20+80%	CER	204100400
C80	56	PF	2%	CER	201565300
C81	10	UF	16V	SAL	236102600
C82	2-18	PF		TRIM	261180100
C83	56	PF	2%	CER	201565300
C84	56	PF	2%	CER	201565300
C85	56	PF	2%	CER	201565300
C86	100	NF	10% 63V	SIB	215103400
C87	10	UF	16V	SAL	236102600
C88	100	NF	10% 63V	SIB	215103400
C89	120	PF	2%	CER	202125300
D40	1N	4148			470414800
IC2	SN	74LS645			304064530
IC3	SN	74LS640			304064030
IC4	SN	74LS640			304064030
IC6	SN	74LS157			304015730
IC7	SN	74LS175			304017530
IC8	SN	74LS86			304008630
IC10	SN	74LS540			304054030
IC11	SN	74LS540			304054030
IC12	SN	74LS540			304054030
IC13	SN	74LS374 N			304037430
IC14	SN	74LS640			304064030
IC15	M5K	4164 NP-15			342666515
IC16	SN	74LS166			304016630
IC17	SN	74LS174			304017430
IC18	SN	74LS00			304000030
IC19	SN	74LS86			304008630
IC20	SN	74LS374 N			304037430
IC21	SN	74LS393			304039330
IC22	M5K	4164 NP-15			342666515
IC23	M5K	4164 NP-15			342666515
IC24	MBM	2732A	EPROM		341273200
IC3A	MB	8128-15M	TMM2016P		342812800
IC30	SN	74LS11			304001130
IC31	SN	74LS133			304013330
IC32	SN	74LS27			304002730
IC33	SN	74LS688			304068830
IC34	SN	74LS540			304054030
IC36	SN	74LS158			304015830
IC37	MB	8128-15M	TMM2016P		342812800

STYKLISTE FOR VDUCON

DEN 16.7.86.

SIDE 2

KOMPONENT BESKRIVELSE

LAGERNUMMER

IC38	MB 8128-15M TMM2016P	342812800
IC39	MB 8128-15M TMM2016P	342812800
IC40	SN 74F253	304025350
IC41	SN 74F253	304025350
IC42	SN 74F253	304025350
IC43	MC 6845 P CRT CONTR.	343684500
IC44	SN 74LS273	304027330
IC45	SN 74LS157	304015730
IC46	SN 74LS02	304000230
IC50	SN 74LS157	304015730
IC51	SN 74LS157	304015730
IC52	SN 74LS157	304015730
IC53	SN 74LS08	304000830
IC54	SN 74LS74 AN	304007430
IC55	SN 74S169N	304016940
IC60	SN 74LS393	304039330
IC61	SN 74LS393	304039330
IC62	SN 74F253	304025350
IC63	SN 74LS112A	304011230
IC64	SN 74LS04	304000430
IC65	SN 74LS139	304013930
IC66	SN 74F74 PC	304007450
IC67	SN 74LS10	304001030
IC68	SN 74LS163A	304016330
IC70	SN 74LS00	304000030
IC71	SN 74LS08	304000830
IC72	SN 74LS138	304013830
IC73	SN 74LS00	304000030
IC74	SN 74LS279	304027930
IC75	SN 74LS04	304000430
IC76	SN 74LS390	304039030
IC80	SN 74LS221	304022130
IC81	SN 74F74 PC	304007450
IC82	SN 74LS04	304000430
IC83	SN 74LS74 AN	304007430
IC84	SN 74LS04	304000430
IC85	SN 74LS74 AN	304007430
IC86	SN 74LS74 AN	304007430
IC87	SN 74LS161A	304016130
IC88	SN 74LS163A	304016330
J1	STIK 64P HAN V	631664000
J2	STIK 32P HAN V	631632000
MEK1	CARD HANDLE W. PIN	746000000
PCB1	PRINT VDUCON	704001200
R40	332 OHM 1/4W 1%	103233200
R60	4.42K OHM 1/4W 1%	103344200
R70	1,00K OHM 1/4W 1%	103310000
R71	1,00K OHM 1/4W 1%	103310000
R80	2,00K OHM 1/4W 1%	103320000
RA1	8X3.3K OHM .1W 10%	186333018
RA2	8X3.3K OHM .1W 10%	186333018
RA40	8X3.3K OHM .1W 10%	186333018
SM1	MØTRIK M2.5	810002500
SM2	MØTRIK M2.5	810002500
SM3	MØTRIK M2.5	810002500
SM4	MØTRIK M2.5	810002500
S03	IC-SØKKEL 20P	640200100
S04	IC-SØKKEL 20P	640200100
S010	IC-SØKKEL 20P	640200100
S011	IC-SØKKEL 20P	640200100
S012	IC-SØKKEL 20P	640200100
S014	IC-SØKKEL 20P	640200100

STYKLISTE FOR VDUCON

DEN 16.7.86.

SIDE 3

KOMPONENT BESKRIVELSE LAGERNUMMER

S015	IC-SOKKEL 16P	640160100
S022	IC-SOKKEL 16P	640160100
S023	IC-SOKKEL 16P	640160100
S024	IC-SOKKEL 24P	640240100
S03A	IC-SOKKEL 24P	640240100
S034	IC-SOKKEL 20P	640200100
S037	IC-SOKKEL 24P	640240100
S038	IC-SOKKEL 24P	640240100
S039	IC-SOKKEL 24P	640240100
S043	IC-SOKKEL 40P	640400100
S045	IC-SOKKEL 16P	640160100
S052	IC-SOKKEL 16P	640160100
S055	IC-SOKKEL 16P	640160100
S066	IC-SOKKEL 14P	640140100
S081	IC-SOKKEL 14P	640140100
SPS1	PERTINAXSK Ø3.2X6X.5	815003010
SPS2	PERTINAXSK Ø3.2X6X.5	815003010
SPS3	PERTINAXSK Ø3.2X6X.5	815003010
SPS4	PERTINAXSK Ø3.2X6X.5	815003010
SPS5	PRINTSPYD 1.0 MM	831001000
SSK1	SKRUE M2.5X12 PHJX-Z	804251200
SSK2	SKRUE M2.5X12 PHJX-Z	804251200
SSK3	SKRUE M2.5X12 PHJX-Z	804251200
SSK4	SKRUE M2.5X12 PHJX-Z	804251200
SSS1	STJERNESKIVE 2,5 MM	812002500
SSS2	STJERNESKIVE 2,5 MM	812002500
SSS3	STJERNESKIVE 2,5 MM	812002500
SSS4	STJERNESKIVE 2,5 MM	812002500
ST	SWITCH 1P DIP-FIX	623011000
XTAL1	XTAL 11.3900 MHZ	587113900