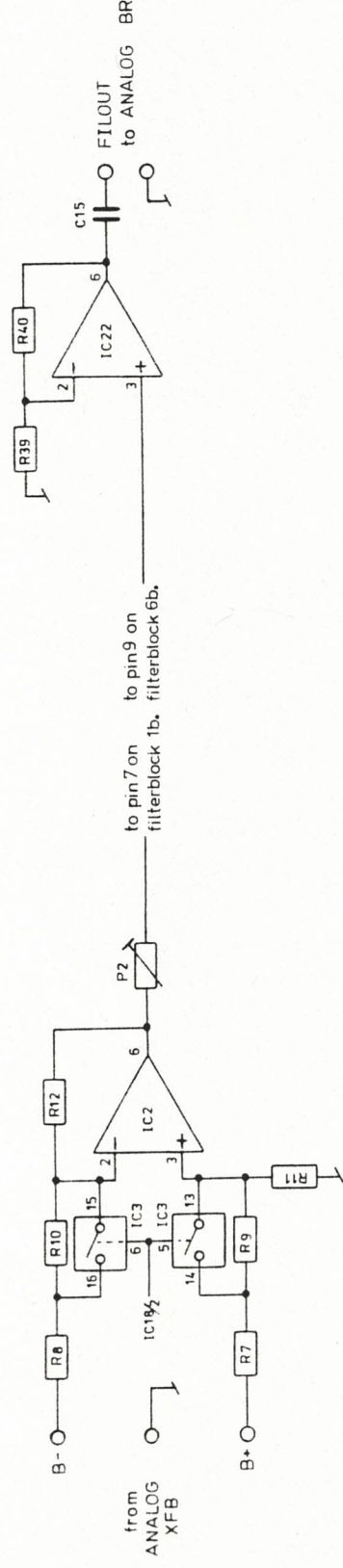
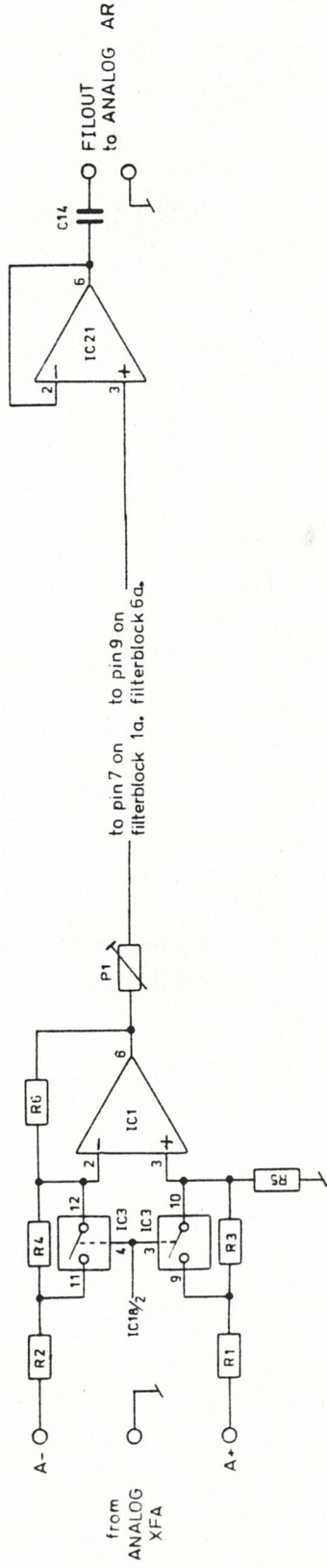
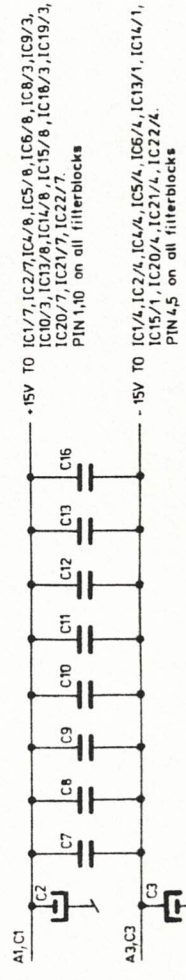
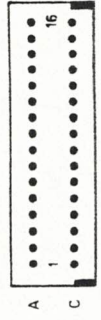


note: A channel is shown as tracking filter, and B channel as broadband filter.



100004
1 of 6/12 filterblocks.
50000010

CONNECTOR FROM OSC 3.



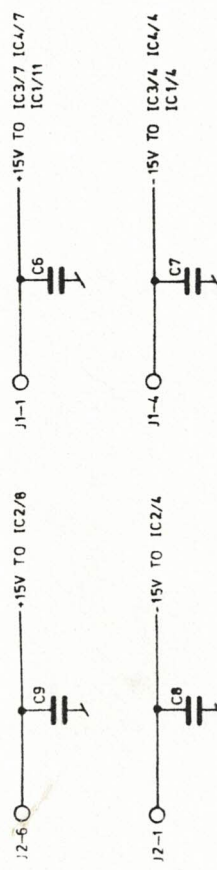
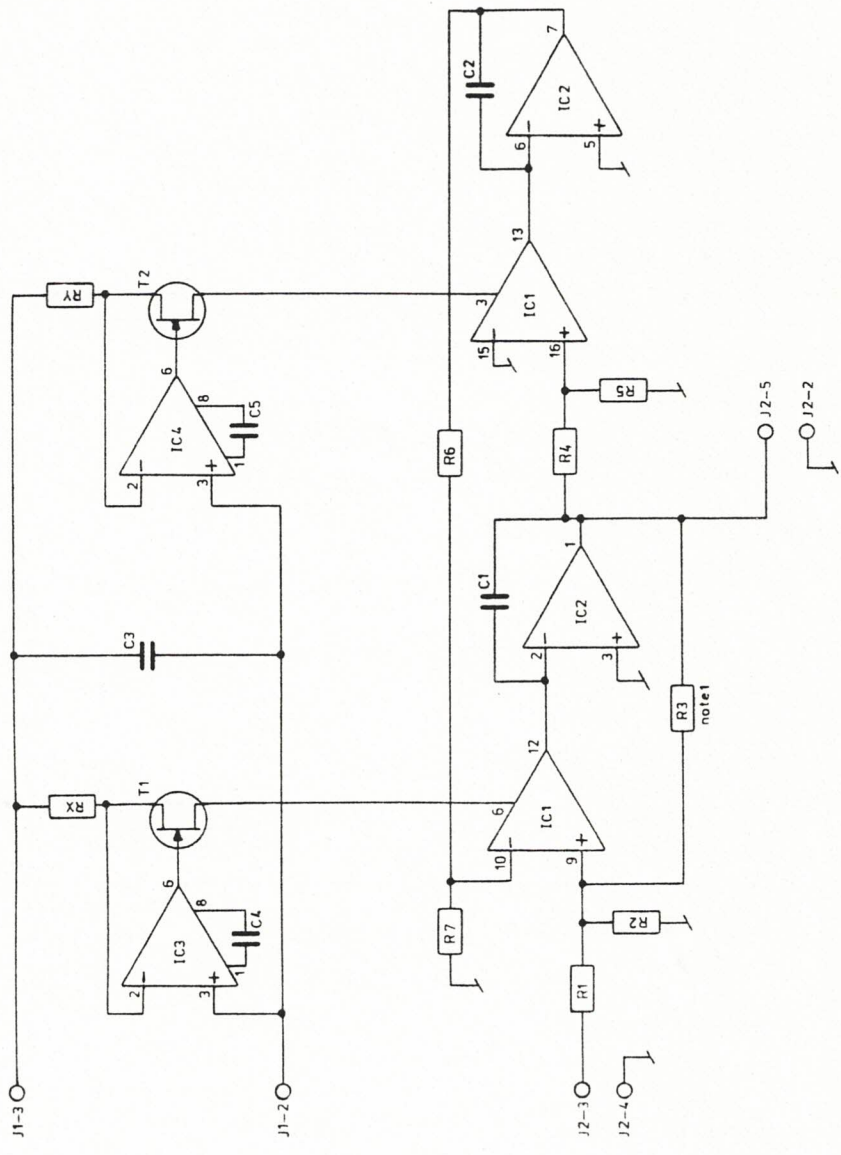
+15V TO IC1/7, IC2/7, IC4/8, IC5/8, IC6/8, IC8/3, IC9/3, IC10/3, IC13/8, IC14/8, IC15/8, IC18/3, IC19/3, IC20/7, IC21/7, IC22/7.
PIN 1,10 on all filterblocks

-15V TO IC1/4, IC2/4, IC4/4, IC5/4, IC6/4, IC13/1, IC14/1, IC15/1, IC20/4, IC21/4, IC22/4.
PIN 4,5 on all filterblocks

GND TO IC6/12, IC9/12, IC10/12, IC13/2, IC14/2, IC15/2, IC18/12, IC19/12.
PIN 6,8 on all filterblocks

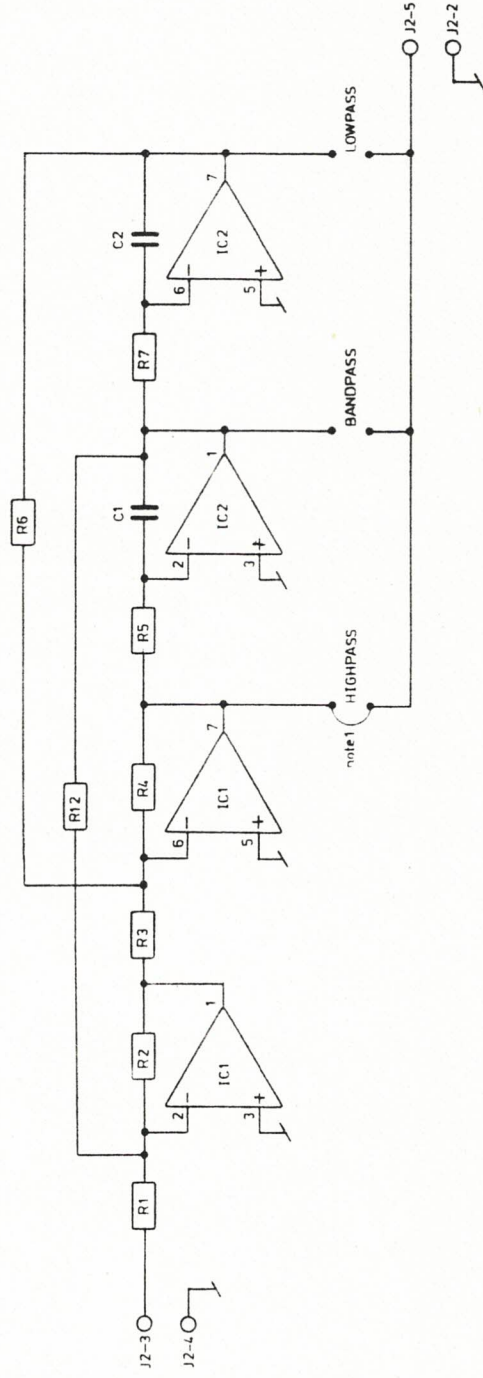
Bemærk	REV.1								
Dok henvis	1	3	4	5	6	7	8	9	Frimålstolerance
Konstr.	Titel								
Tegn	FILTER 2 P400								
1 udg	GAIN CIRCUIT								
Værdier	Matrik 17-040018-01								
Ercetter	Finish								
Nr	17-040018-03								
Skala	Blied 2 af 5								
ortofon danmark									

note 1: RQ, not show parallel to



Bemærk.	REV. 1								
Dok. henv.	1	3	4	5	6	7	8	9	Firmatolerance
Konstr.	Titel								
Tegn.	27.01.86 BH								
1. udg.	1401 P7 P90								
Værktøj	Mair 17-040018-01								
Festlæser	Finish								
Nr. 17-040018-03 Blad 3 af 5 FILTER 2 P400 TRACKING FILTERBLOCK. Skala —									
ortofon									

note! Move for other function.



J2-6 ——— +15V TO IC1/8, IC2/8

J2-10 ——— -15V TO IC1/4, IC2/4

Bemærk	REK!									Skala		
Dok henvisning	1	2	3	4	5	6	7	8	9	Firmatolerance	Nr	
Konstr.											Titel	
Tegn.	27.01.86 BH										FILTER 2 P400	
1 udg.	14/08/89										BROADBAND FILTERBLOCK.	
Værktøj											Matr.	I7-040018-01
Erstatler											Finish	ortofon danmark

I7-040018-03

Blaed 4 ar 5

ortofon danmark

ldg	1	2	1595
-----	---	---	------

ene legning ma ikke overlades til
pnes eller idnyltes al vedkommende

Side 1

S T Y K L I S T E

att:JL, JJK

Titel : Motherboard filter 2
Udarb. dato: 16.07.1986
Udarb. af : LM/GBS
Rev. :

Nr.:I 704001810

Lb.nr.	Stk.	Varenr.	Titel
C1	1	214333400	33 NF 10% mkt
C2	1	235682500	6.8 UF 25V SAL
C3	1	235682500	6.8 UF 25V SAL
C5	1	236102600	10 UF 16V SAL
C6	1	215103400	100 NF 10% 63V SIB
C7	1	215103400	100 NF 10% 63V SIB
C8	1	215103400	100 NF 10% 63V SIB
C9	1	215103400	100 NF 10% 63V SIB
C10	1	215103400	100 NF 10% 63V SIB
C11	1	215103400	100 NF 10% 63V SIB
C12	1	215103400	100 NF 10% 63V SIB
C13	1	215103400	100 NF 10% 63V SIB
C14	1	216223300	2.2 UF 10% mkt
C15	1	216223300	2.2 UF 10% mkt
C16	1	215103400	100 NF 10% 63V SIB
C17	1	215103400	100 NF 10% 63V SIB
C18	1	204100400	10 NF -20+80% CER
C20	1	235472500	4.7 UF 25V SAL
IC1	1	360041100	LF 411
IC2	1	360041100	LF 411
IC3	1	380751000	AD 7510 DIJN
IC4	1	360041200	LF 412
IC5	1	360041200	LF 412
IC6	1	360041200	LF 412
IC7	1	379000100	Ref-01 +10V ref.
IC8	1	361033900	LM 339N 4xcomp.
IC9	1	361033900	LM 339N 4xcomp.
IC10	1	361033900	LM 339N 4xcomp.
IC11	1	354752300	AD 7523 JN
IC12	1	354752300	AD 7523 JN
IC13	1	380751000	AD 7510 DIJN
IC14	1	380751000	AD 7510 DIJN
IC15	1	380751000	AD 7510 DIJN
IC16	1	321001400	Hef 4514BP 4 -> 16
IC17	1	320000800	Hef 4008BP 4-bit ADD
IC18	1	361033900	LM 339N 4xcomp.
IC19	1	361033900	LM 339N 4xcomp.
IC20	1	361000700	Op 07DP op.amp.
IC21	1	360035600	LF 356/tdb 0156 DP 8
IC22	1	360035600	LF 356/tdb 0156 DP 8
J2	1	631632000	Stik 32P han V
LAOUT	1	635002510	Molex st. han V+L
JBOUT	1	635002510	Molex st. han V+L
JCHA	1	635003510	Molex st. han V+L
JCHB	1	635003510	Molex st. han V+L
MEK1	1	746000000	Card handle w. pin
P1	1	150410000	10k trim pot. 25t.
P2	1	150410000	10k trim.pot. 25t.
P3	1	150410000	10k trim. pot.25t.
PCB	1	704001800	Print filter 2

Side 2

S T Y K L I S T E

att:JL, JJK

Titel : Motherboard filter 2
Udarb. dato: 16.07.1986
Udarb. af : LM/GBS
Rev. :

Nr.:I 704001810

Lb.nr.	Stk.	Varenr.	Titel
R1	1	103410000	10.0k ohm 0.25w 1%
R2	1	103410000	10.0k ohm 0.25w 1%
R3	1	103490900	90.9k ohm 0.25w 1%
R4	1	103490900	90.9k ohm 0.25w 1%
R5	1	103410000	10.0k ohm 0.25w 1%
R6	1	103410000	10.0k ohm 0.25w 1%
R7	1	103410000	10.0k ohm 0.25w 1%
R8	1	103410000	10.0k ohm 0.25w 1%
R9	1	103490900	90.9k ohm 0.25w 1%
R10	1	103490900	90.9k ohm 0.25w 1%
R11	1	103410000	10.0k ohm 0.25w 1%
R12	1	103410000	10.0k ohm 0.25w !5
R13	1	103420000	20.0k ohm 0.25w 1%
R14	1	103410000	10.0k ohm 0.25w 1%
R15	1	173310020	1.00k ohm 0.25w 3500PPM
R16	1	103320000	2.00k ohm 0.25w 1%
R17	1	103410000	10.0k ohm 0.25w 1%
R18	1	103410000	10.0k ohm 0.25w 1%
R19	1	103410000	10.0k ohm 0.25w 1%
R20	1	103410000	10.0k ohm 0.25w 1%
R21	1	103410000	10.0k ohm 0.25w 1%
R22	1	103410000	10.0k ohm 0.25w 1%
R23	1	103110000	10.0 ohm 0.25w 1%
R24	1	103110000	10.0 ohm 0.25w 1%
R25	1	103120000	20.0 ohm 0.25w 1%
R26	1	103140200	40.2 ohm 0.25w 1%
R27	1	103180600	80.6 ohm 0.25w 1%
R28	1	103216200	162 ohm 0.25w 1%
R29	1	103232400	324 ohm 0.25w 1%
R30	1	103263400	634 ohm 0.25w 1%
R31	1	103312700	1.27k ohm 0.25w 1%
R32	1	103325500	2.55k ohm 0.25w 1%
R33	1	103351100	5.11k ohm 0.25w 1%
R34	1	103410200	10.2k ohm 0.25w 1%
R35	1	186333018	8x3.3k ohm 0.1w 10%
R36	1	186333018	8x3.3k ohm 01.w 10%
R37	1	186333018	8x3.3k ohm 0.1w 10%
R38	1	103275000	750 ohm 0.25w 1%
R39	1	103410000	10.0k ohm 0.25w 1%
SM1	1	810002500	Møtrik M2.5
SM2	1	810002500	Møtrik M2.5
SO11	1	640160100	IC-sokkel 16P
SO12	1	640160100	IC-sokkel 16P
SO13	1	640160100	IC-sokkel 16P
SO14	1	640160100	IC-sokkel 16P
SO15	1	640160100	IC-sokkel 16P
SO16	1	640160100	IC-sokkel 16P
SO21	1	640080100	IC-sokkel 8P
SO22	1	640080100	IC-sokkel 8P
SP1	1	815003010	Pertinaxsk ø3.2x6x0.5

Side 3

S T Y K L I S T E

att:JL, JJK

Titel : Motherboard filter 2
Udarb. dato: 16.07.1986
Udarb. af : LM/GBS
Rev. :

Nr.:I 704001810

Lb.nr.	Stk.	Varenr.	Titel
SP2	1	815003010	Pertinaxsk \varnothing 3.2x6x0.5
SSK1	1	804251200	Skrue M2.5x12 PHJX-Z
SSK2	1	804251200	Skrue M2.5x12 PHJX-Z
SSS1	1	812002500	Stjerneskiye 2.5mm
SSS2	1	812002500	Stjerneskiye 2.5mm
T1	1	401500300	2 N 4401