

NO.	AN-NO.	REMARKS	CONSTR.	HOH	TITEL
2	1690		03.02.83		EXTCON REL 1.
			05.08.87		
			ISSUED		
			APPROVED		
			TOOL		
			REPLACE		
			DRAWING		
			MATR.		17-040016-00
			FINISH		

NO.	AN-NO.	REMARKS	CONSTR.	HOH	TITEL
1	F1				
2	F2				
3	F3				
4	F4				
5	F5				
6	F6				
7	F7				
8	F8				
9	F9				
10	F10				
11	F11				
12	F12				
13	F13				
14	F14				
15	F15				
16	F16				
17	F17				
18	F18				
19	F19				

THIS DRAWING MUST NOT BE PASSED ON TO, COPIED OR USED BY ANY UNAUTHORIZED PERSONS.

ORTOFON INSTRUMENTS

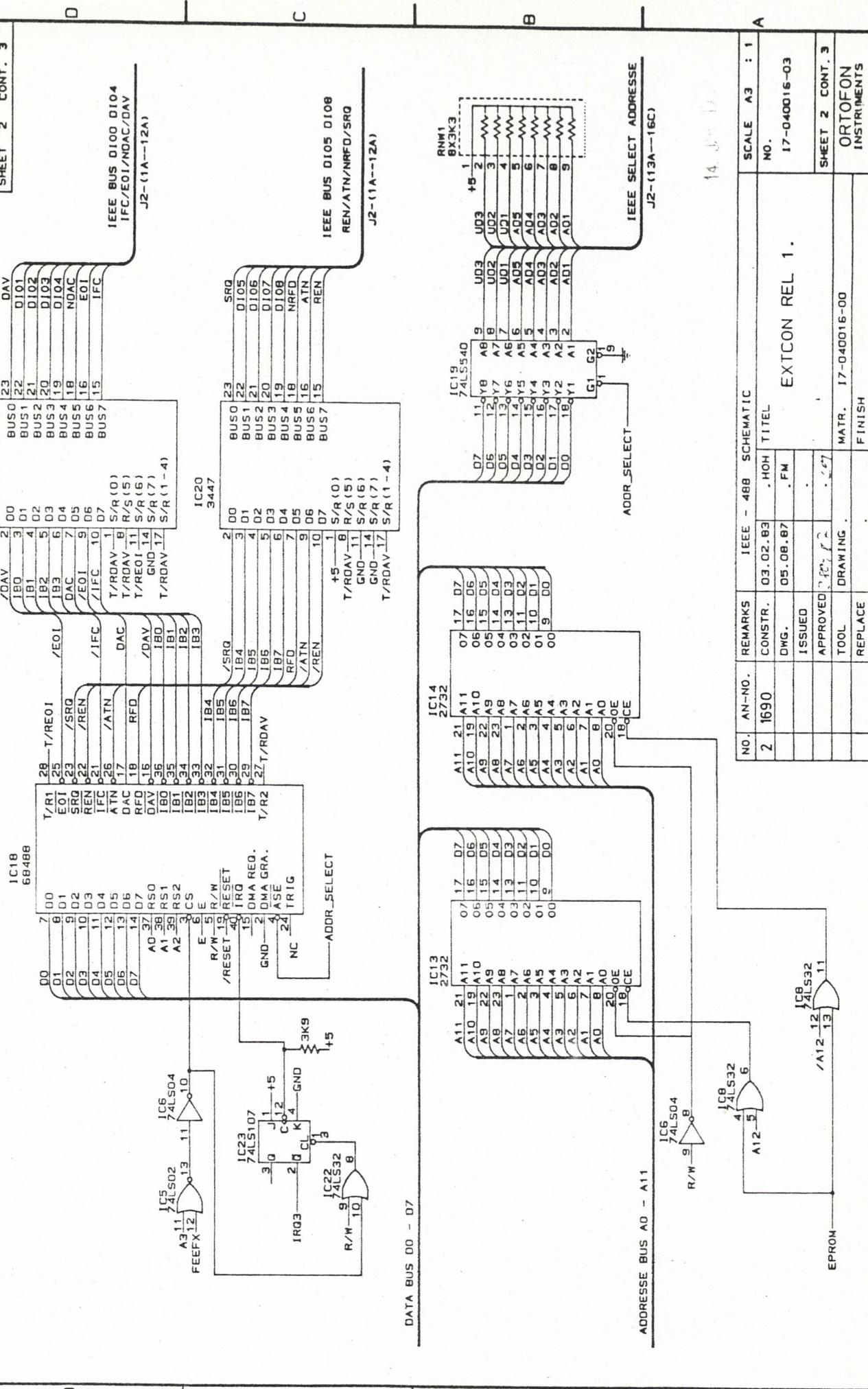
SHEET 1 CONT. 2

NO. 17-040016-03

SCALE A3 : 1

17-040016-03

28-8-87



NO.	AN-NO.	REMARKS	IEEE - 488 SCHEMATIC	SCALE	A3	1
2	1690	CONSTR.	03.02.83	.HOH	TITEL	
		DWG.	05.08.87	.FM		
		ISSUED				
		APPROVED				
		TOOL	DRAWING			
		REPLACE				

EXTCON REL 1.	
MATR.	17-040016-00
FINISH	

THIS DRAWING MUST NOT BE PASSED ON TO, COPIED OR USED BY ANY UNAUTHORIZED PERSONS.

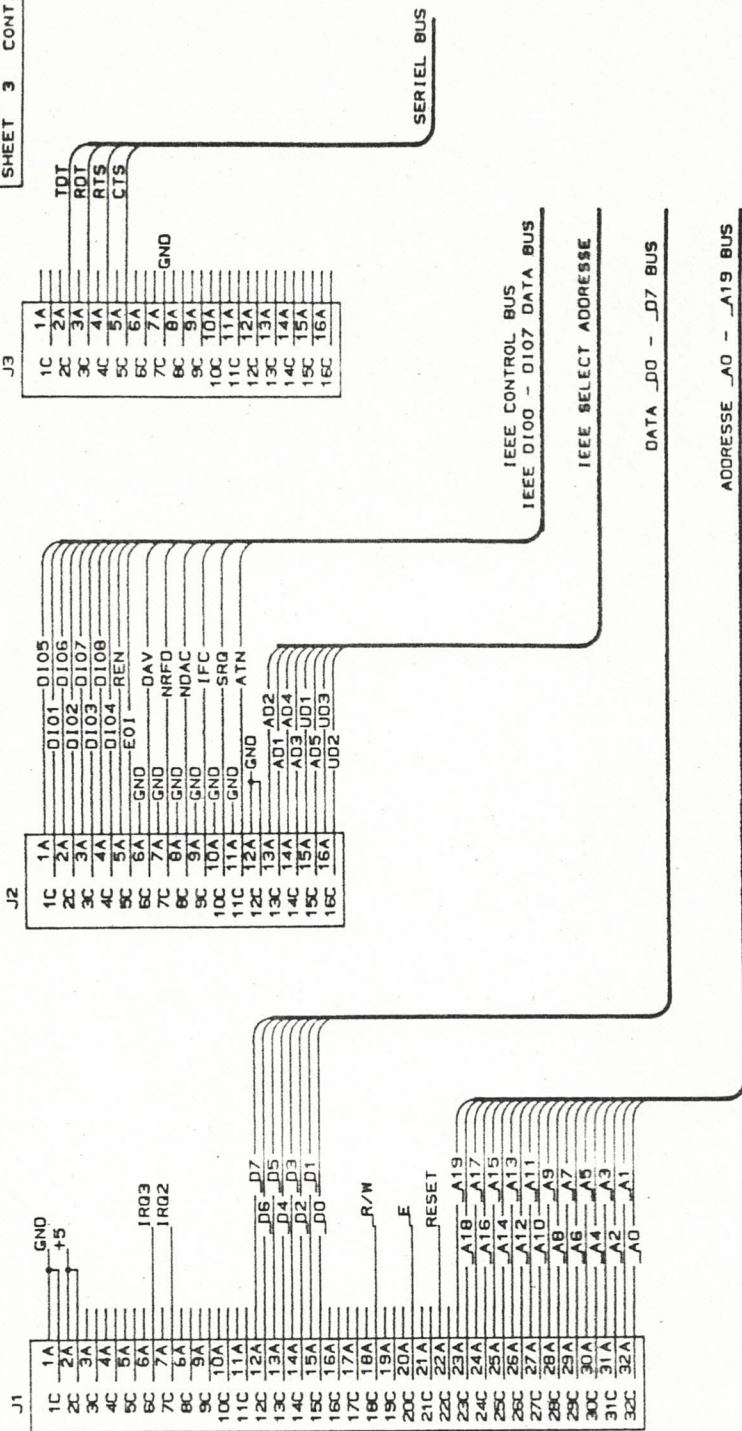
14

DATA BUS 00 - 07

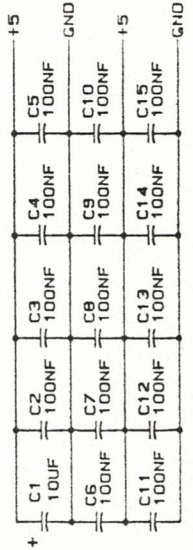
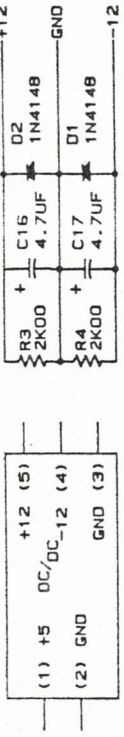
ADDRESS BUS A0 - A11

EPROM

NO. 17-040016-03
SHEET 3 CONT. 3



SUPPLY
AD1012



NO.	AN-NO.	REMARKS	DATE	HOH	TITEL	SCALE	A3
2	1690	CONSTR.	03.02.83	FM	EXTCON REL 1	17-040016-03	1
		DWG.	06.08.87				
		ISSUED					
		APPROVED					
		TOOL					
		REPLACE					
		MATR.					
		FINISH					

THIS DRAWING MUST NOT BE PASSED ON TO, COPIED OR USED BY ANY UNAUTHORIZED PERSONS.

28.02

STYKLISTE FOR EXTCON

DEN 16.7.86.

SIDE 1

KOMPONENT BESKRIVELSE LAGERNUMMER

C1	10	UF	16V	SAL	236102600
C2	100	NF	10% 63V	SIB	215103400
C3	100	NF	10% 63V	SIB	215103400
C4	100	NF	10% 63V	SIB	215103400
C5	100	NF	10% 63V	SIB	215103400
C6	100	NF	10% 63V	SIB	215103400
C7	100	NF	10% 63V	SIB	215103400
C8	100	NF	10% 63V	SIB	215103400
C9	100	NF	10% 63V	SIB	215103400
C10	100	NF	10% 63V	SIB	215103400
C11	100	NF	10% 63V	SIB	215103400
C12	100	NF	10% 63V	SIB	215103400
C13	100	NF	10% 63V	SIB	215103400
C14	100	NF	10% 63V	SIB	215103400
C15	100	NF	10% 63V	SIB	215103400
C16	4.7	UF	25V	SAL	235472500
C17	4.7	UF	25V	SAL	235472500
C18	330	PF	10%	CER	202333300
C19	330	PF	10%	CER	202333300
C20	330	PF	10%	CER	202333300
C21	330	PF	10%	CER	202333300
D1	1N	4148			470414800
D2	1N	4148			470414800
IC1	SN	74LS540			304054030
IC2	SN	74LS540			304054030
IC3	SN	74LS640			304064030
IC4	SN	74LS540			304054030
IC5	SN	74LS02			304000230
IC6	SN	74LS04			304000430
IC7	SN	74LS30			304003030
IC8	SN	74LS32 N			304003230
IC9	SN	74LS133			304013330
IC10	MC	14411			344441100
IC11	MC	6850			343685000
IC12	MC	6850			343685000
IC15	MC	1488 - SN	75188 N		343148800
IC17	MC	1489 - SN	75189AN		343148900
IC18	MC	68488	G PIA		343848800
IC19	SN	74LS540			304054030
IC20	MC	3447	GP IB		343344700
IC21	MC	3447	GP IB		343344700
J1	STIK	64P HAN	V		631664000
J2	STIK	32P HAN	V		631632000
J3	STIK	32P HAN	V		631632000
MEK1	CARD	HANDLE W.	PIN		746000000
PCB1	PRINT	EXTCON			704001600
R1	1M	OHM	1/4W 1%		103610000
R3	2,00K	OHM	1/4W 1%		103320000
R4	2,00K	OHM	1/4W 1%		103320000
RNW1	8X3.3K	OHM	.1W 10%		186333018
S1	SWITCH	8P	DIL		626080000
SM1	MØTRIK	M2.5			810002500
SM2	MØTRIK	M2.5			810002500
SM3	MØTRIK	M2.5			810002500
SM4	MØTRIK	M2.5			810002500
SM5	MØTRIK	M2.5			810002500
SM6	MØTRIK	M2.5			810002500
S01	IC-SOKKEL	20P			640200100
S02	IC-SOKKEL	20P			640200100
S03	IC-SOKKEL	20P			640200100
S04	IC-SOKKEL	20P			640200100
S010	IC-SOKKEL	24P			640240100

STYKLISTE FOR EXTCON

DEN 16.7.86.

SIDE 2

KOMPONENT BESKRIVELSE

LAGERNUMMER

S013	IC-SOKKEL 24P	640240100
S014	IC-SOKKEL 24P	640240100
S018	IC-SOKKEL 40P	640400100
S019	IC-SOKKEL 20P	640200100
S020	IC-SOKKEL 24P	640240100
S021	IC-SOKKEL 24P	640240100
S022	IC-SOKKEL 14P	640140100
SP1	PERTINAXSK Ø3.2X6X.5	815003010
SP2	PERTINAXSK Ø3.2X6X.5	815003010
SP3	PERTINAXSK Ø3.2X6X.5	815003010
SP4	PERTINAXSK Ø3.2X6X.5	815003010
SP5	PERTINAXSK Ø3.2X6X.5	815003010
SP6	PERTINAXSK Ø3.2X6X.5	815003010
SSK1	SKRUE M2.5X10 PHJX-Z	804251000
SSK2	SKRUE M2.5X10 PHJX-Z	804251000
SSK3	SKRUE M2.5X10 PHJX-Z	804251000
SSK4	SKRUE M2.5X10 PHJX-Z	804251000
SSK5	SKRUE M2.5X10 PHJX-Z	804251000
SSK6	SKRUE M2.5X10 PHJX-Z	804251000
SSS1	STJERNESKIVE 2,5 MM	812002500
SSS2	STJERNESKIVE 2,5 MM	812002500
SSS3	STJERNESKIVE 2,5 MM	812002500
SSS4	STJERNESKIVE 2,5 MM	812002500
SSS5	STJERNESKIVE 2,5 MM	812002500
SSS6	STJERNESKIVE 2,5 MM	812002500
SUPLY	DC/DC +5/+12-12	378121000
SW1	SWITCH 1P DIP-FIX	623010000
XTAL	XTAL 1.8432 MHZ PRL	586184300