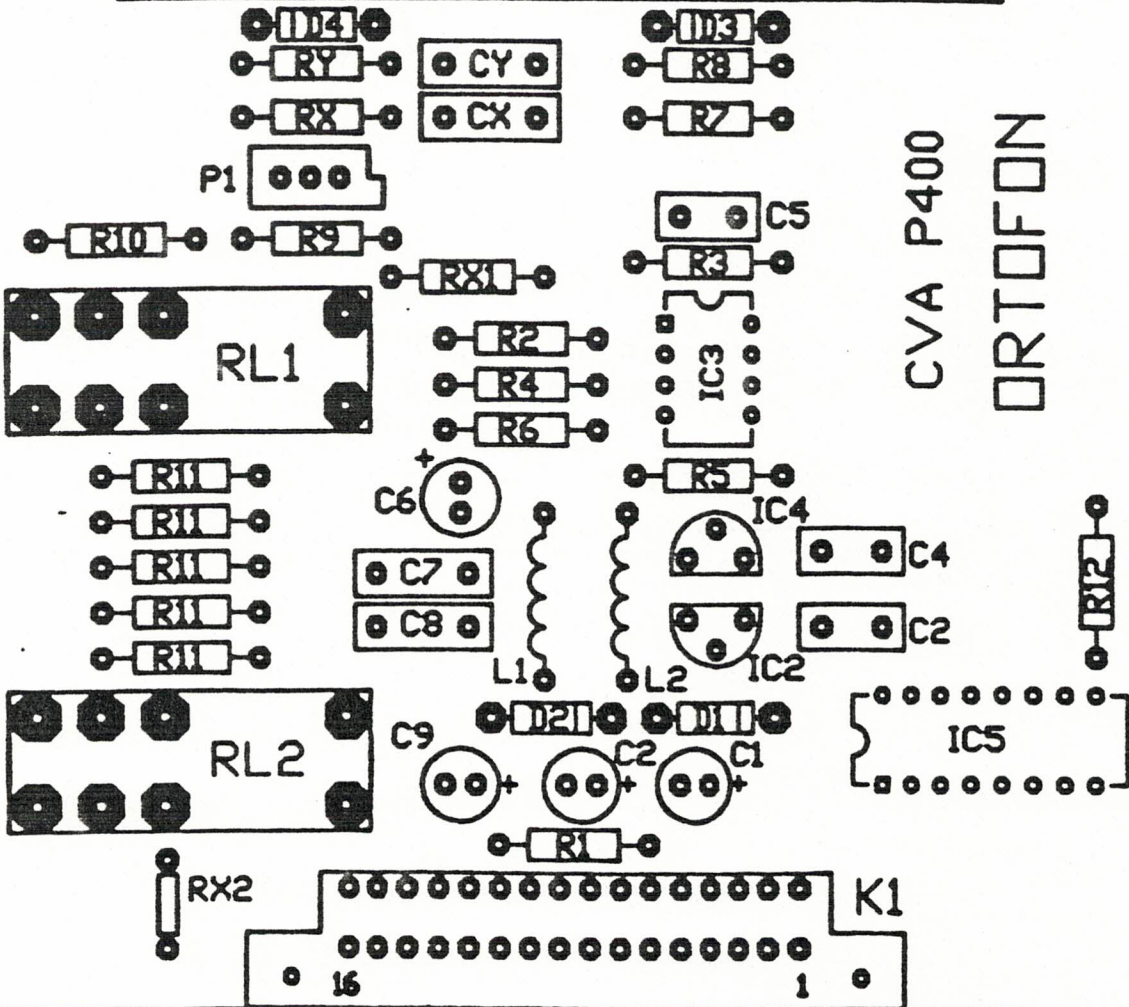
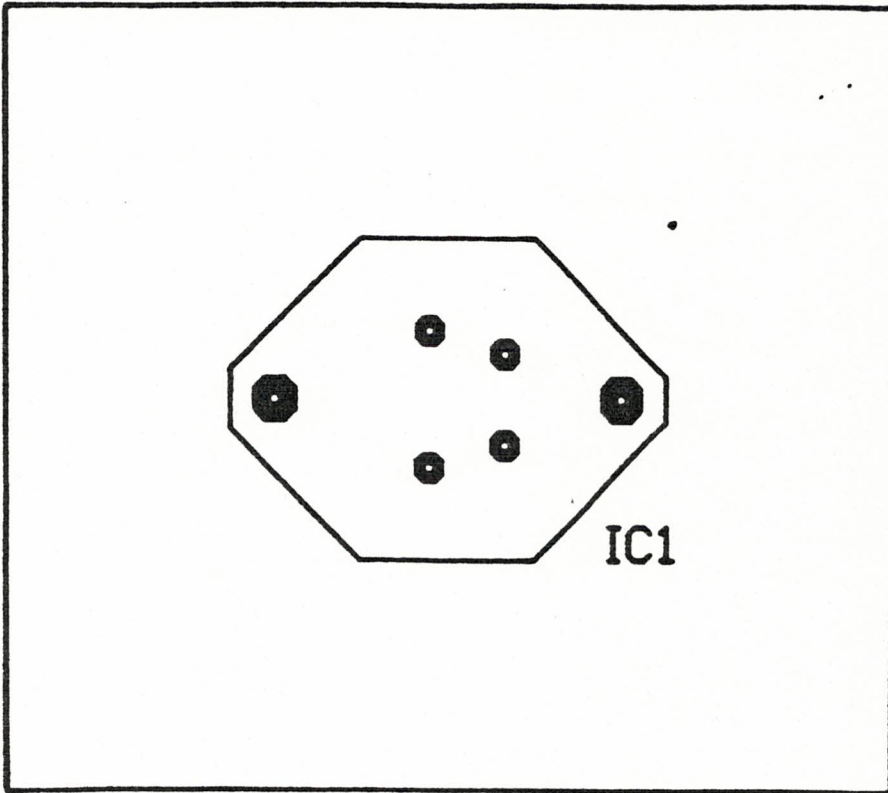


NO.	AN-NO.	REMARKS	PGO.	TITEL	SCALE	: 1
		CONSTR.		P400 CVA 3	NO.	
		DWG.	13.06.88			
		ISSUED			SHEET CONT.	
		APPROVED				
		TOOL				
		REPLACE		MATR.	FINISH	

THIS DRAWING MUST NOT BE PASSED ON TO, COPIED OR USED BY ANY UNAUTHORIZED PERSONS.



CVA P400
ORTOFON