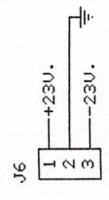
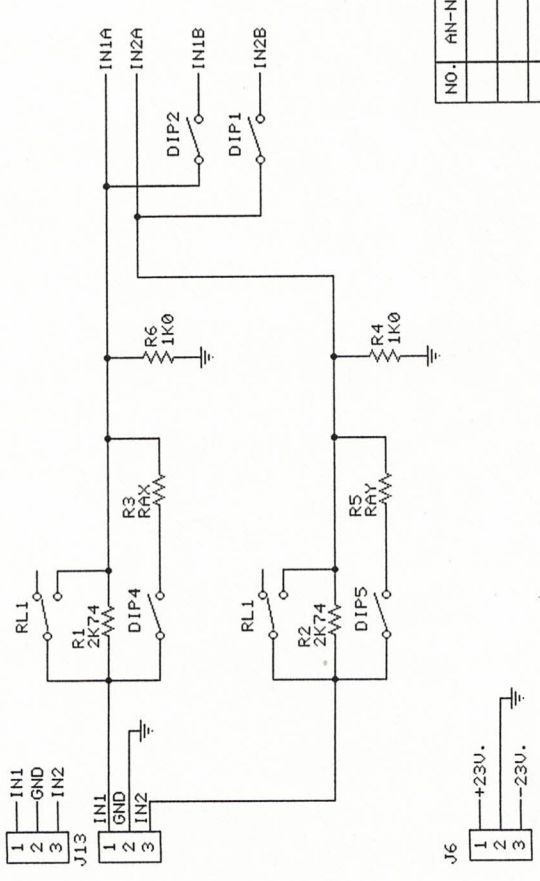


- MODE 1 CH-A 1 OUT A 2 GND
- MODE 1 CH-B 1 OUT B 2 GND
- MODE 2 CH-A 1 OUT A 2 OUT B
- MODE 2 CH-B 1 OUT A 2 OUT B

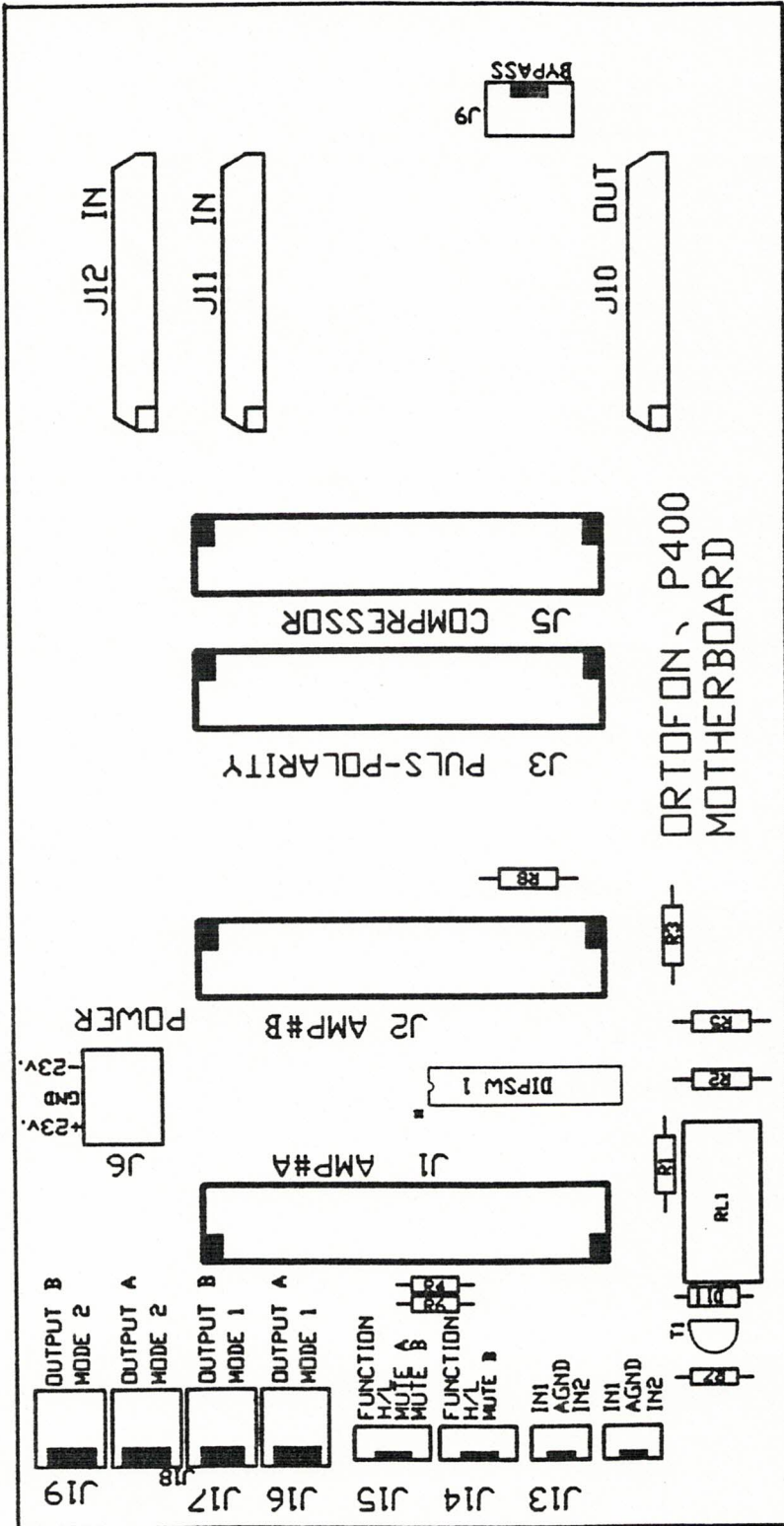
*R3+R5
27KΩ*
1X8V MODEL MODELS
A X X X + + X - - X X

TYPE	OUTPUT		DIP									
	A	B	1	2	3	4	5	6	7	8	9	10
1 X 10V	MODE 1 A	MODE 2 A	X	X	-	-	X	X	X	X	X	X
2 X 10V	MODE 1 A	MODE 1 B	+	-	-	-	-	+	X	+	-	-
5/20V	MODE 2 A	MODE 2 B	-	-	-	-	-	-	-	-	-	+

X = DONTCARE
- = OFF
+ = ON



NO.	AN-NO.	REMARKS	TITEL		SCALE	: 1
			CONSTR.	NO.		
		CONSTR.	17-03-89	IKR.	CVA-3 MOTHERBOARD	NO.
		DWG.	17-03-89	IKR.		
		ISSUED				
		APPROVED	010100			
		TOOL				
		REPLACE			SHEET 1 CONT.	
			MATR.	1704003203	ORTOFON INSTRUMENTS	
			FINISH			



ORTOFON - P400
MOTHERBOARD

MOTHER6.PCB Top Overlay