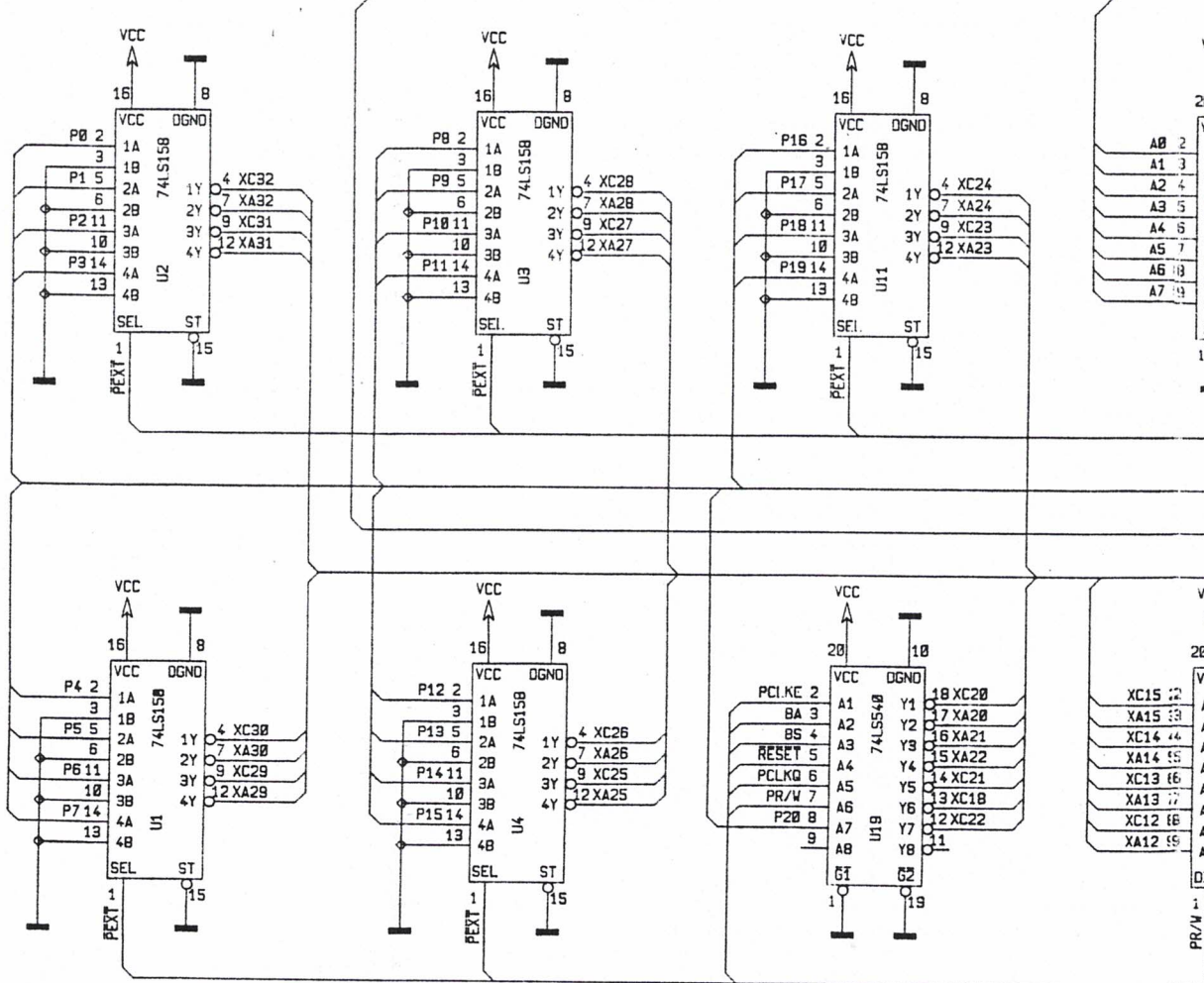
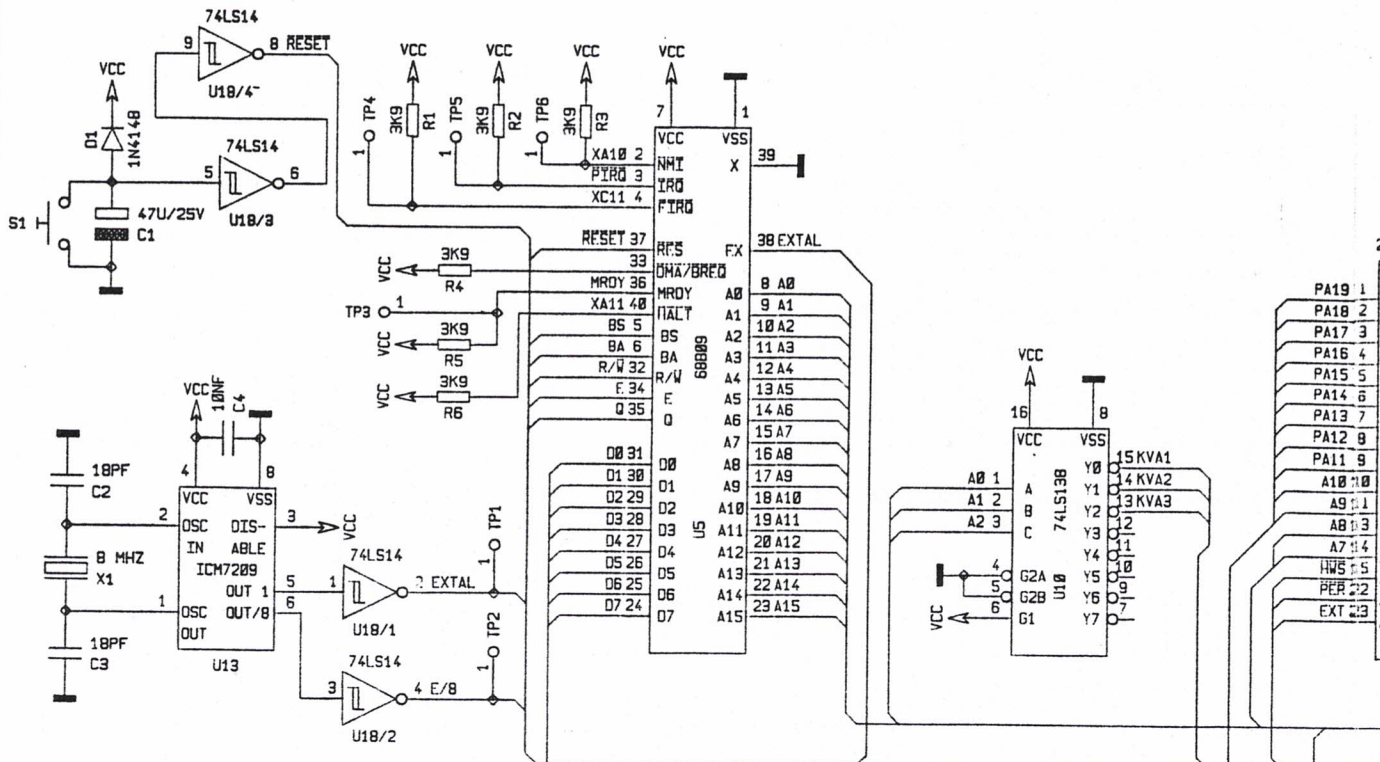
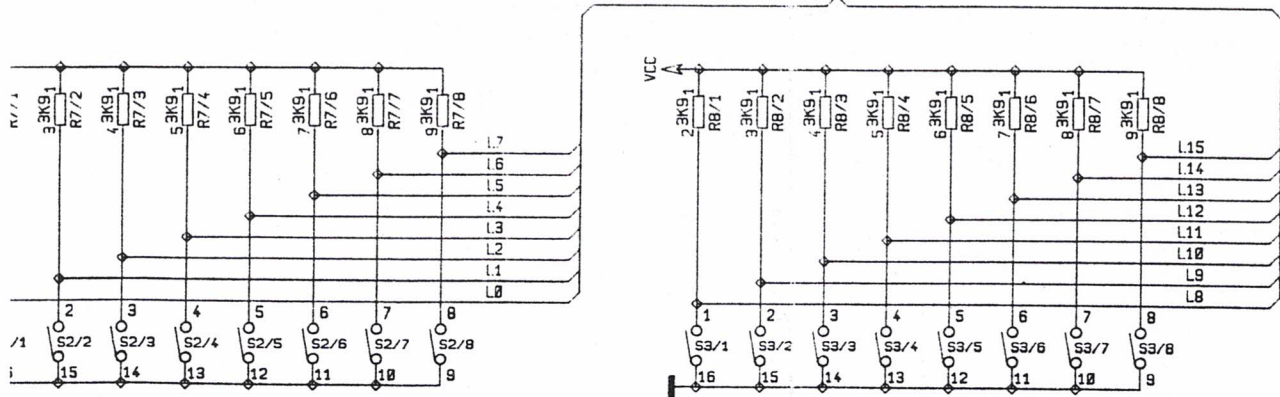
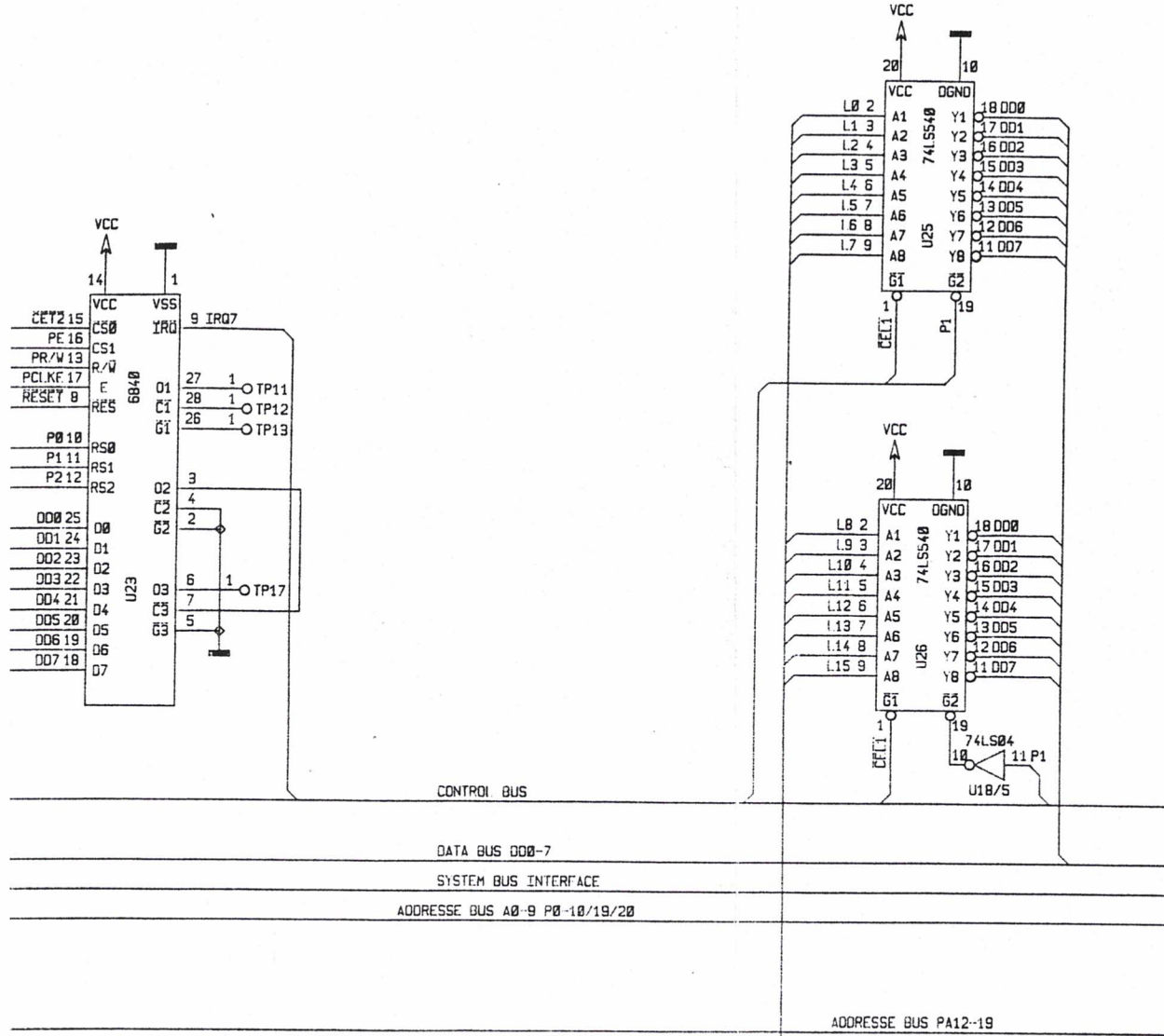


FORMAT A3	PAGE 1 OF 5	REV: 2.01	INDEX NO:	ORTOFON
DRAWN BY: J.C.	DATE 07-06-23	SIGN: FM	UDG. 2 1618 3 1641	
R: R1, R2, R3, R4, R5, R6			17-040031-03	4.1712
C: C1, C2, C3				
U: U1-U18 U49, U65				

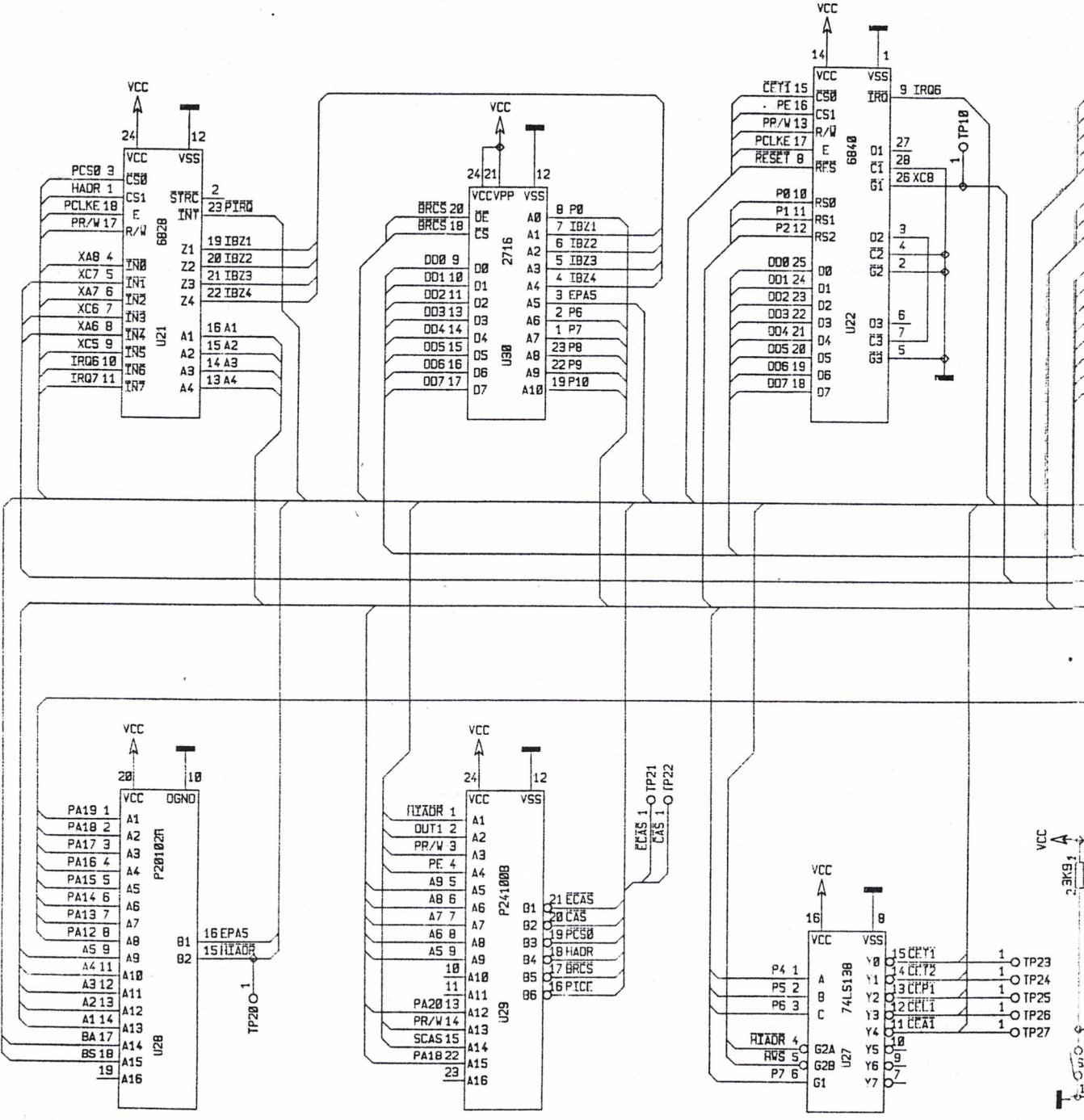
CPU 2.0

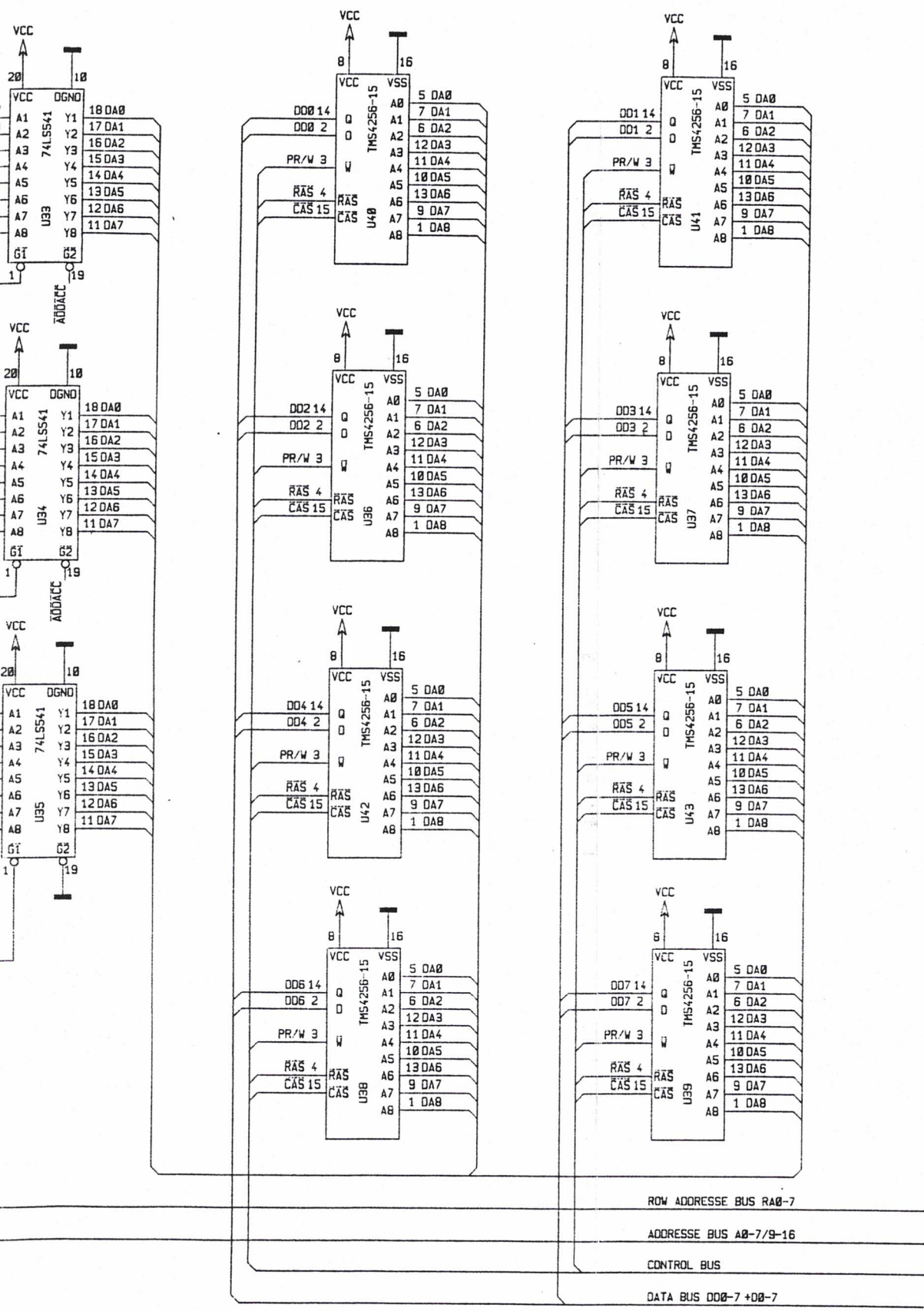
ak 4/8/87





FORMAT A3	PAGE 2 OF 5	REV: 2.01	INDEX NO:	ORTOFON
DRAWN BY: J.C.	DATE 87-06-23	SIGN: <i>FM</i>	UDG 2 1618 3 1641	
R: R7, R8	17-040031-03 4 1712			
C:	U: U18, U21, U22, U23, U25, U26, U27, U28, U29, U30			
CPU 2.0				

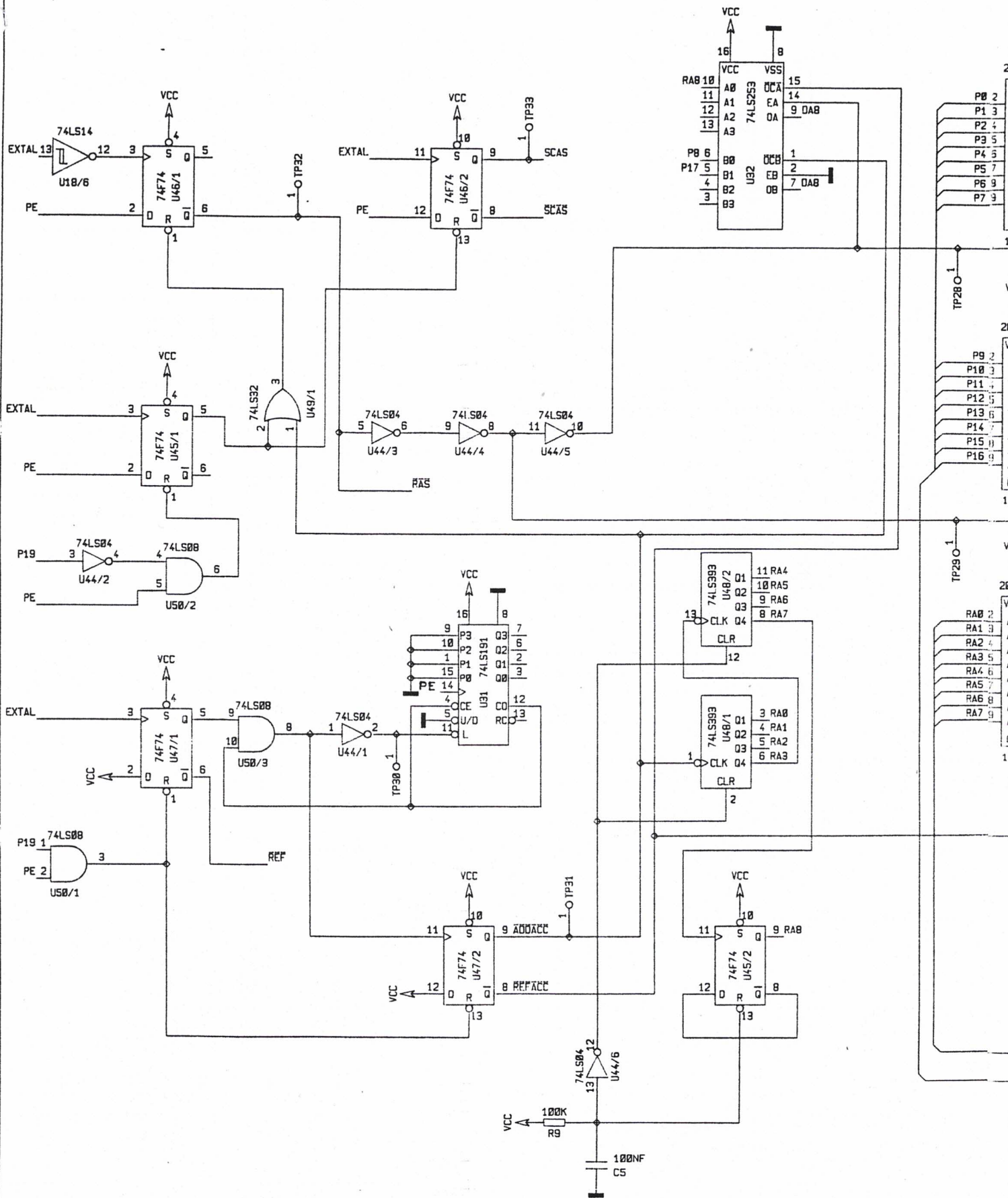


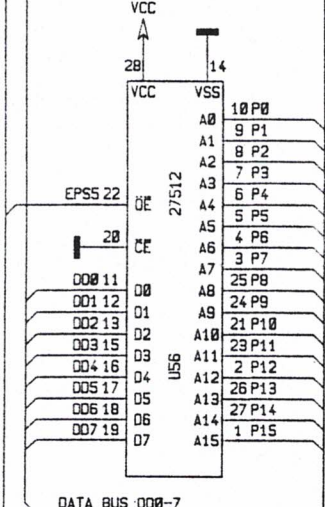
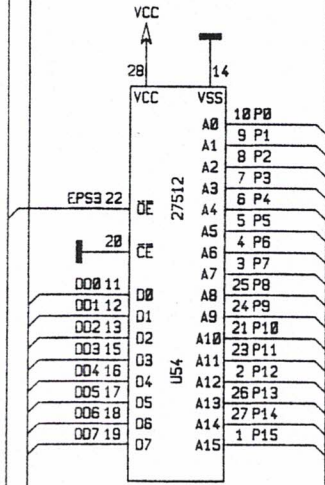
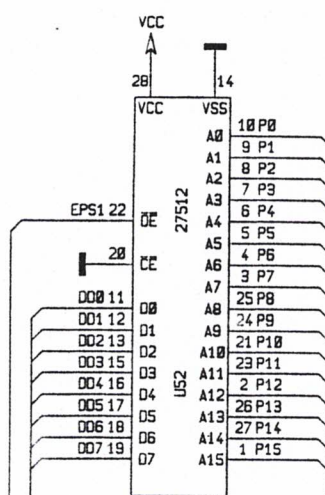
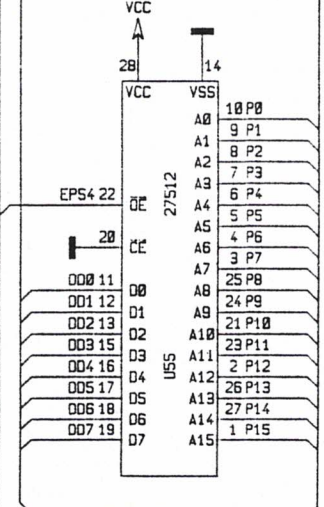
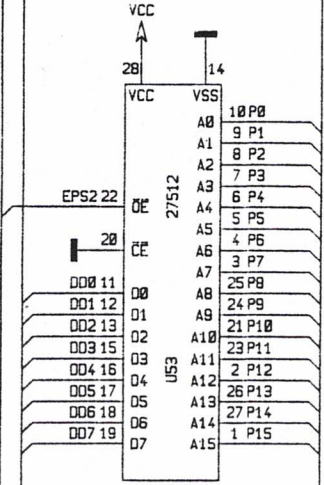
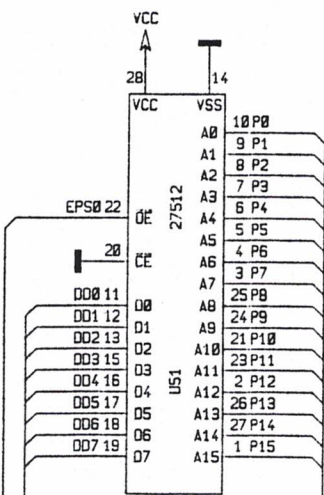
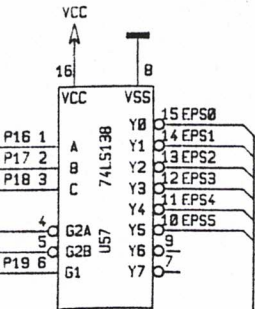
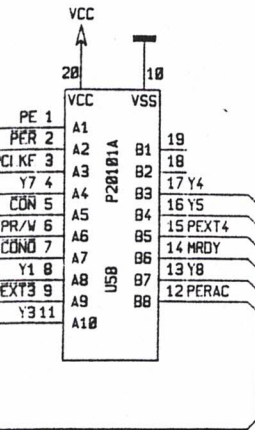


ROW ADDRESSE BUS RA0-7
 ADDRESSE BUS A0-7/9-16
 CONTROL BUS
 DATA BUS DD0-7 +00-7

FORMAT A3	PAGE 3 OF 5	REV: 2.01	INDEX NO:	ORTOFON
DRAWN BY: J.C.	DATE 87-06-23	SIGN: FN	UDG 2 1618 3 1641	
C: C5			I7-040031-03	4 1712
U: U18, U31-U50				
CPU 2.0				

de 6/6/87/Fm





DATA BUS : D00-7

ADDRESSE BUS : P0-19

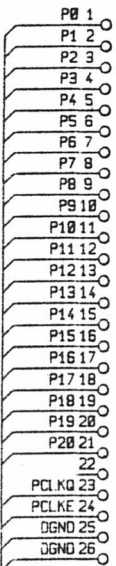
CONTROL BUS

FORMAT A3	PAGE 4 OF 5	REV: 2.01	INDEX NO:	ORTOFON
DRAWN BY: J.C.	DATE 87-36-23	SIGN: FM	UDG 2 1618 3 1641	
R:			17-040031-03	4 1712
C:				
U: U56-U63				

CPU 2.0

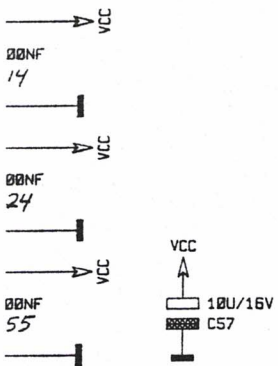
ok
16/187

WAFER26S
K1

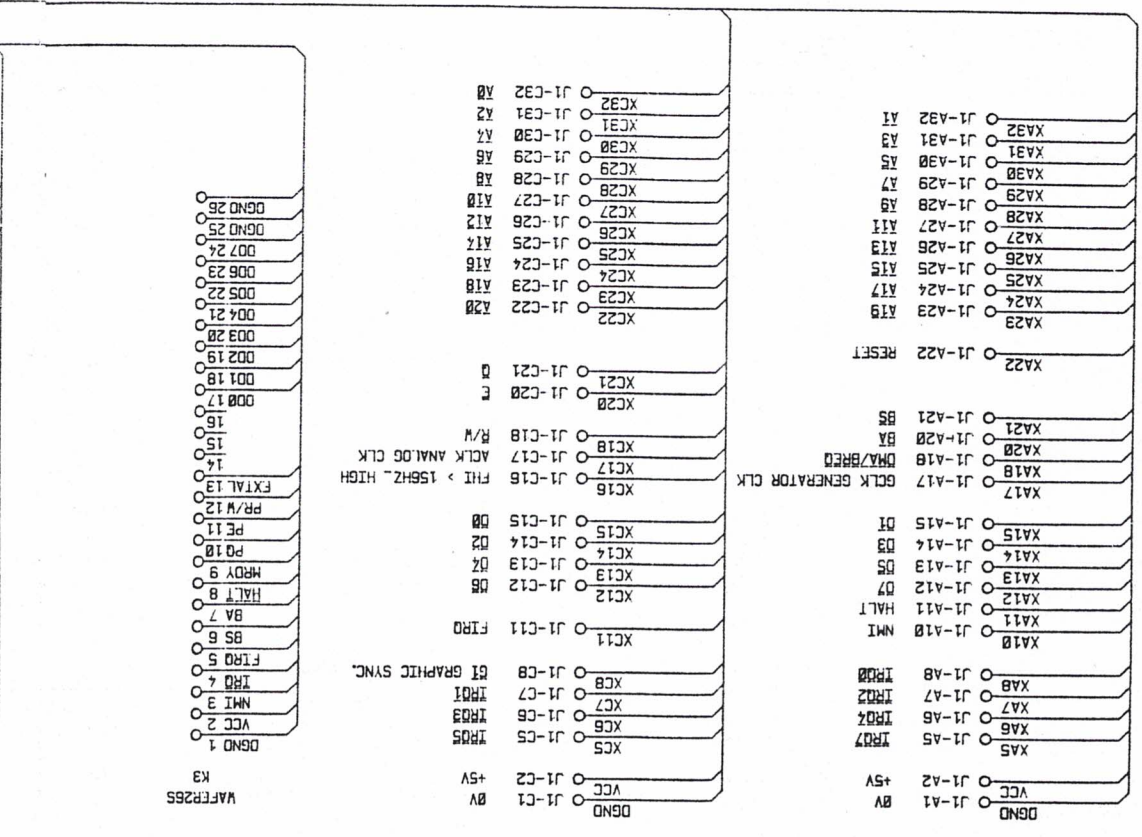
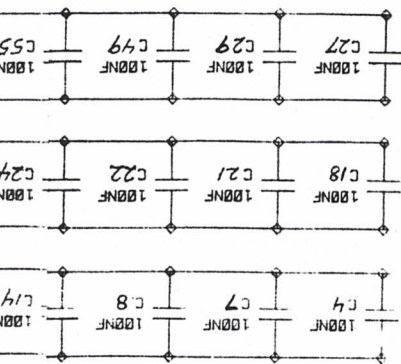


EXPANSION INTERFACE

SYSTEM BUS INTERFACE



FORMAT A3	PAGE 5 OF 5	REV: 2.01	INDEX NO:	ORTOFON
DRAWN BY: JC	DATE 87-06-23	SIGN: FM	UDG.2 1618.3 1641	
R: -			17-040031-03	4 1712
C: C4, C7, C8, C14, C18, C21, C24, 27, C29, C45, C55				
U: -				
CPU 2.0				



att:JJK, OMS, PR, JL

Titel : CPU 2.1 P 400
 Udarb. dato: 18.12.1987
 Udarb. af : GBS
 Rev. :

Nr.:I704008010

Lb.nr.	Stk.	Varenr.	Titel
C01	1	236152600	15uF 16V SAL
C02	1	201185300	18pF 2% CER
C03	1	201185300	18pF 2% CER
C04	1	215103400	100nF 10% SIB
C05	1	215103400	100nF 10% SIB
C07	1	215103400	100nF 10% SIB
C08	1	215103400	100nF 10% SIB
C14	1	215103400	100nF 10% SIB
C18	1	215103400	100nF 10% SIB
C21	1	215103400	100nF 10% SIB
C22	1	215103400	100nF 10% SIB
C24	1	215103400	100nF 10% SIB
C27	1	215103400	100nF 10% SIB
C29	1	215103400	100nF 10% SIB
C49	1	215103400	100nF 10% SIB
C55	1	215103400	100nF 10% SIB
C57	1	236102600	10 uF 16V SAL
D01	1	470414800	1N 4148
J01	1	631664000	Euro 64 han v.
K01	1	632526000	Wafer 26
K03	1	632526000	Wafer 26
R01	1	103339200	3k92 ohm 1% 0.25w
R02	1	103339200	3k92 ohm 1% 0.25w
R03	1	103339200	3k92 ohm 1% 0.25w
R04	1	103339200	3k92 ohm 1% 0.25w
R05	1	103339200	3k92 ohm 1% 0.25w
R06	1	103339200	3k92 ohm 1% 0.25w
R07	1	186339018	8x3k9 10% 0.10w SIL
R08	1	186339018	8x3k9 10% 0.10w SIL
R09	1	103510000	100k ohm 0.25w
S01	1	623010000	Single pol
S02	1	626080000	8x1P 8 pol DIL
S03	1	626080000	8x1P 8 pol DIL
T01	1	831001000	Testpunkt
T02	1	831001000	Testpunkt
T03	1	831001000	Testpunkt
T04	1	831001000	Testpunkt
T05	1	831001000	Testpunkt
T06	1	831001000	Testpunkt
T07	1	831001000	Testpunkt
T08	1	831001000	Testpunkt
T09	1	831001000	Testpunkt
T10	1	831001000	Testpunkt
T11	1	831001000	Testpunkt

att:JJK, OMS, PR, JL

Titel : CPU 2.1 P 400
 Udarb. dato: 18.12.1987
 Udarb. af : GBS
 Rev. :

Nr.: I704008010

Lib.nr.	Stk.	Varenr.	Titel
T12	1	831001000	Testpunkt
T13	1	831001000	Testpunkt
T17	1	831001000	Testpunkt
T20	1	831001000	Testpunkt
T21	1	831001000	Testpunkt
T22	1	831001000	Testpunkt
T23	1	831001000	Testpunkt
T24	1	831001000	Testpunkt
T25	1	831001000	Testpunkt
T26	1	831001000	Testpunkt
T27	1	831001000	Testpunkt
T28	1	831001000	Testpunkt
T29	1	831001000	Testpunkt
T30	1	831001000	Testpunkt
T31	1	831001000	Testpunkt
T32	1	831001000	Testpunkt
T33	1	831001000	Testpunkt
T34	1	831001000	Testpunkt
T35	1	831001000	Testpunkt
T36	1	831001000	Testpunkt
T37	1	831001000	Testpunkt
T38	1	831001000	Testpunkt
U01	1	304015830	74LS158
U02	1	304015830	74LS158
U03	1	304015830	74LS158
U04	1	304015830	74LS158
U05	1	340680901	MC68B09 Motorola
U06	1	349682901	68B29-SC67476P
U07	1	349682901	68B29-SC67476P (not used)
U08	1	349682901	68B29-SC67476P (not used)
U09	1	343240030	P24103A PAL 16L6
U10	1	304013830	74LS138
U11	1	304015830	74LS158
U12	1	343240041	P24104 PAL 20L8BCN
U13	1	344720900	ICN7209
U14	1	304064030	74LS640
U15	1	304054130	74LS541
U16	1	304054130	74LS541
U17	1	304054130	74LS541
U18	1	304001430	74LS14
U19	1	304054030	74LS540
U20	1	304064530	74LS645
U21	1	349850700	6828/MC8507
U22	1	349684000	6840
U23	1	349684000	6840
U25	1	304054130	74LS541 E 74LS541
U26	1	304054130	74LS541 E 74LS541
U27	1	304013830	74LS138
U28	1	343200021	P20102A PAL 16H2

att:JJK, OMS, PR, JL

Titel : CPU 2.1 P 400
 Udarb. dato: 18.12.1987
 Udarb. af : GBS
 Rev. :

Nr.:I704008010

Lb.nr.	Stk.	Varenr.	Titel
U29	1	343200001	P24100B PAL 16L8DCW
U30	1	341251600	INT2716 EPROM 2kx8
U31	1	304019130	74LS191
U32	1	304025350	74F 253
U33	1	304054130	74LS541
U34	1	304054130	74LS541
U35	1	304054130	74LS541
U36	1	342425612	TMS4256-12
U37	1	342425612	TMS4256-12
U38	1	342425612	TMS4256-12
U39	1	342425612	TMS4256-12
U40	1	342425612	TMS4256-12
U41	1	342425612	TMS4256-12
U42	1	342425612	TMS4256-12
U43	1	342425612	TMS4256-12
U44	1	304000430	74LS04
U45	1	304007450	74F74
U46	1	304007450	74F74
U47	1	304007450	74F74
U48	1	304039330	74LS393
U49	1	304003230	74LS32
U50	1	304000820	74S08
U51	1	341275120	27512 Eprom no.1
U52	1	341275120	27512 Eprom no.2
U53	1	341275120	27512 Eprom no.3 (not used)
U54	1	341275120	27512 Eprom no.4 (not used)
U55	1	341275120	27512 Eprom no.5 (not used)
U56	1	341275120	27512 Eprom no.6 (not used)
U57	1	304013830	74LS138
U58	1	343240010	P20101A PAL 10L8
U59	1	304007450	74F74
U60	1	304007450	74F74
U61	1	304007450	74F74
U62	1	304007450	74F74
U63	1	304007450	74F74
U64	1	304000430	74LS04
U65	1	304007450	74F74
X01	1	586800000	8mHZ XTAL
PCB01	1	704008000	Print CPU 2.0-2
SO05	1	640400100	IC-sokkel 40P
SO06	1	640400100	IC-sokkel 40P
SO07	1	640400100	IC-sokkel 40P
SO08	1	640400100	IC-sokkel 40P
SO09	1	642240100	IC-sokkel slime-line 24P
SO12	1	642240100	IC-sokkel slime-line 24P
SO14	1	640200100	IC-sokkel 20P
SO15	1	640200100	IC-sokkel 20P

Dokumentnr.: I7040080.1/PL

Udskrevet...: 07.01.88/11:17:11

att:JJK, OMS, PR, JL

Titel : CPU 2.1 P 400
 Udarb. dato: 18.12.1987
 Udarb. af : GBS
 Rev. :

Nr.: I704008010

-----	-----	-----	-----
Lb.nr.	Stk.	Varenr.	Titel
-----	-----	-----	-----
SO16	1	640200100	IC-sokkel 20P
SO17	1	640200100	IC-sokkel 20P
SO19	1	640200100	IC-sokkel 20P
SO20	1	640200100	IC-sokkel 20P
SO21	1	640240100	IC-sokkel 24P
SO22	1	640280100	IC-sokkel 28P
SO23	1	640280100	IC-sokkel 28P
SO28	1	640200100	IC-sokkel 20P
SO29	1	640200100	IC-sokkel 20P
SO30	1	640240100	IC-sokkel 24P
SO33	1	640200100	IC-sokkel 20P
SO34	1	640200100	IC-sokkel 20P
SO35	1	640200100	IC-sokkel 20P
SO36	1	640160100	IC-sokkel 16P
So37	1	640160100	IC-sokkel 16P
SO38	1	640160100	IC-sokkel 16P
SO39	1	640160100	IC-sokkel 16P
SO40	1	640160100	IC-sokkel 16P
SO41	1	640160100	IC-sokkel 16P
SO42	1	640160100	IC-sokkel 16P
SO43	1	640160100	IC-sokkel 16P
SO51	1	640280100	IC-sokkel 28P
SO52	1	640280100	IC-sokkel 28P
SO53	1	640280100	IC-sokkel 28P
SO54	1	640280100	IC-sokkel 28P
SO55	1	640280100	IC-sokkel 28P
SO56	1	640280100	IC-sokkel 28P
SO58	1	640200100	IC-sokkel 20P
SP01	1	815003010	Pertinax sk \emptyset 3x0.6x0.5
SP02	1	815003010	Pertinax sk \emptyset 3x0.6x0.5
SSK01	1	804025100	Skrue M2.5x10 PHJX-Z
SSK02	1	804251000	Skrue M2.5x10 PHJX-Z
SSS01	1	812002500	Stjerneskiye 2.5mm
SSS02	1	812002500	Stjerneskiye 2.5mm
SM01	1	810002500	Møtrik M2.5
SM02	1	810002500	Møtrik M2.5
MEK01	1	746000000	Printkort-håndtag
MEK02	1	746000100	Stifter F746
MEK03	1	746000100	Stifter F746